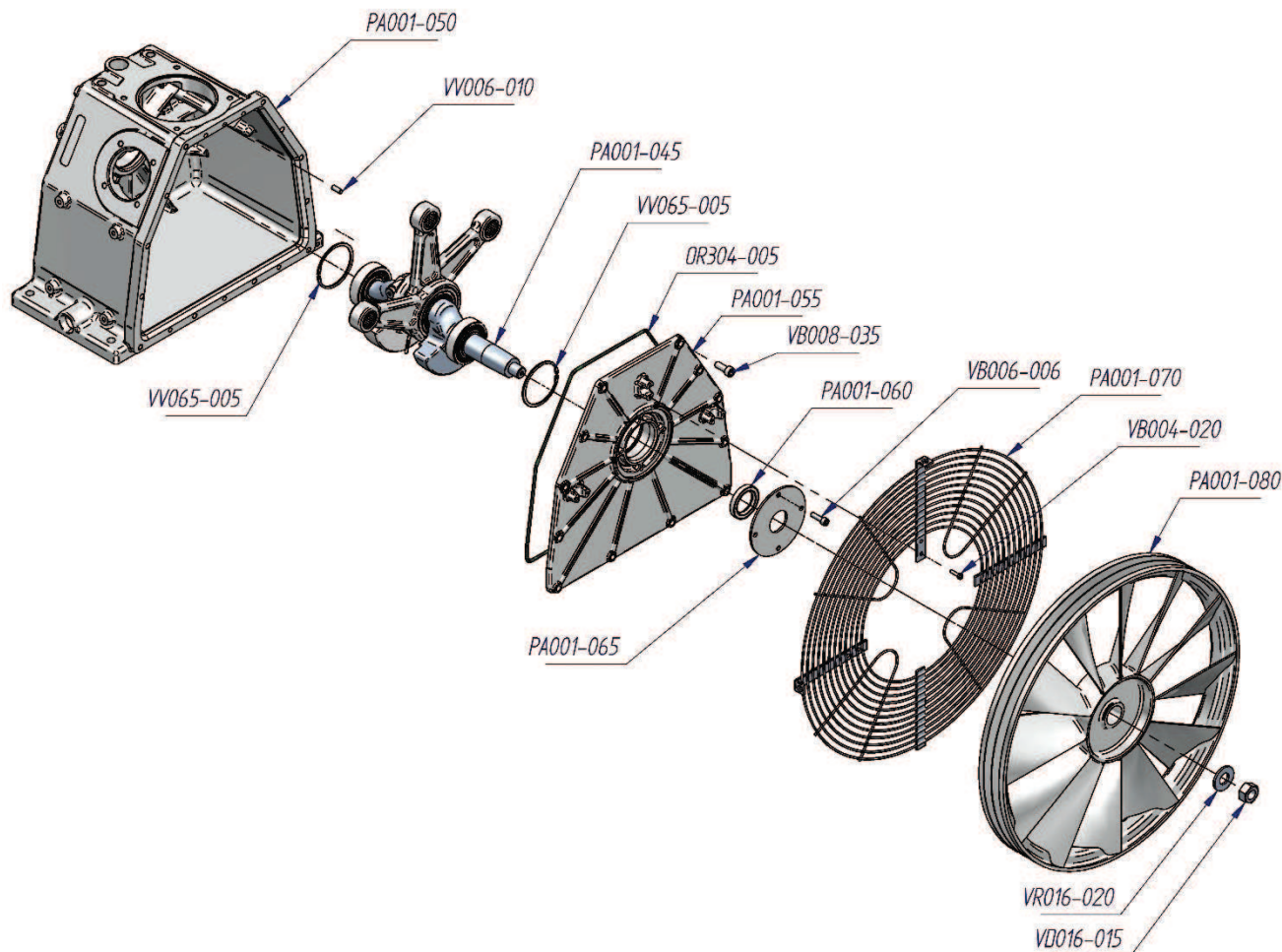
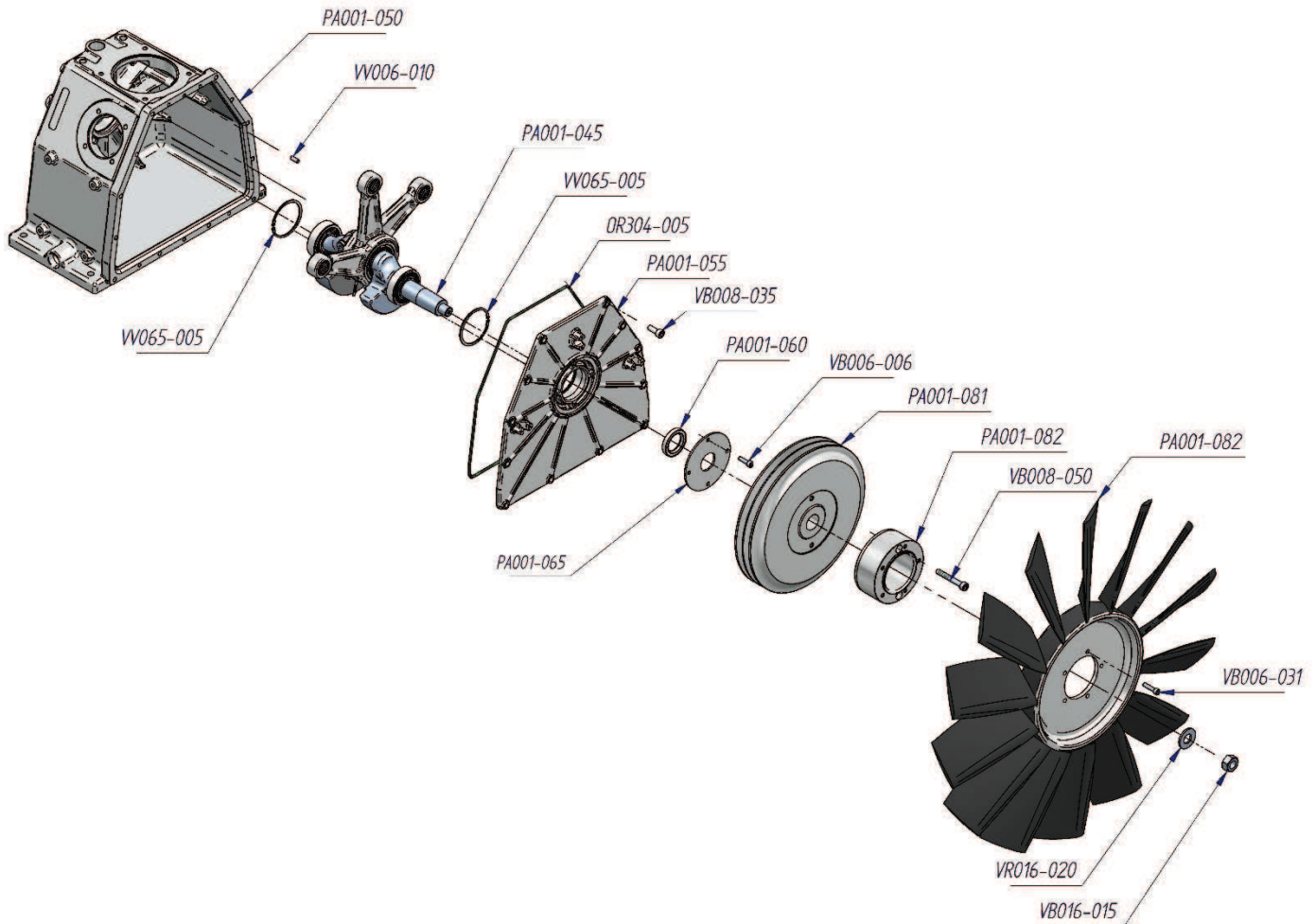


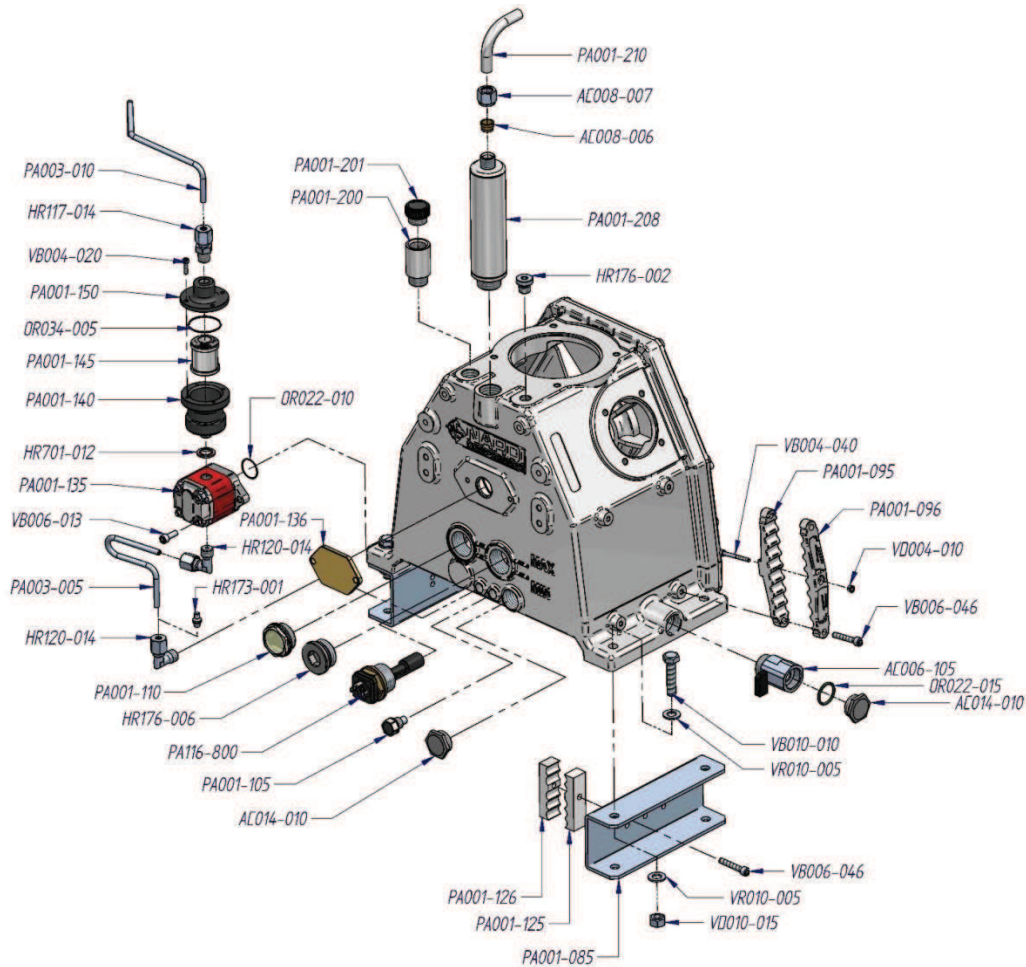
| CODE | DESCRIPTION | CODE | DESCRIPTION | CODE | DESCRIPTION |
|-----------|-------------------------------------|-----------|----------------|-----------|-------------|
| PA001-006 | Shaft | PA001-025 | Roller bearing | VD008-010 | Nut |
| PA001-011 | Counterbalance | PA001-030 | Roller bearing | VR030-005 | Washer |
| PA001-015 | Connecting rod with oil thrower pin | PA001-035 | Roller bearing | VV025-005 | Safety ring |
| PA001-020 | Connecting rod | VB008-030 | Screw | VV030-005 | Safety ring |



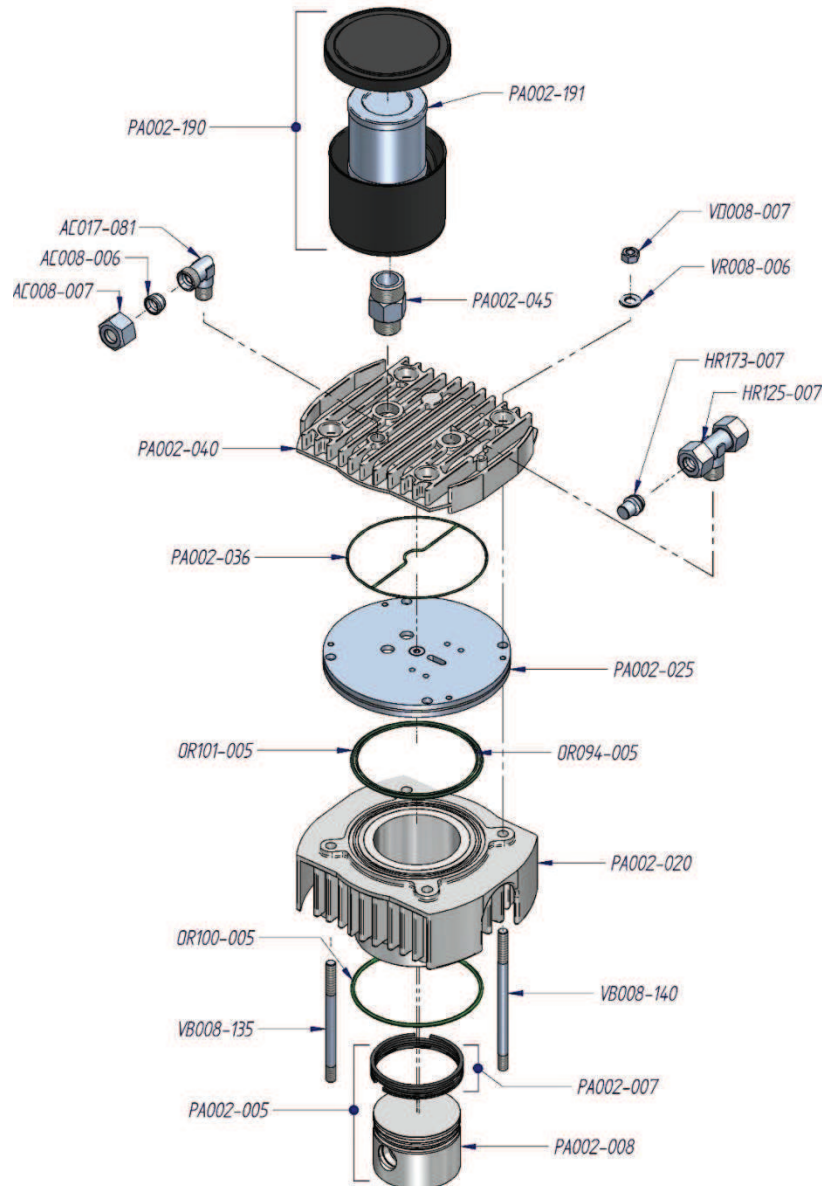
| CODE | DESCRIPTION | CODE | DESCRIPTION | CODE | DESCRIPTION |
|-----------|----------------------------------|-----------|-----------------------|-----------|-------------|
| OR304-005 | O-ring | PA001-065 | Oil seal flange | VB008-035 | Screw |
| PA001-045 | Shaft complete of connecting rod | PA001-070 | Metal protection | VD016-015 | Nut |
| PA001-050 | Compressor crankcase | PA001-080 | Pulley-fan compressor | VR016-020 | Washer |
| PA001-055 | Closing crankcase flange | VB004-020 | Screw | VV006-010 | Pin |
| PA001-060 | Oil seal | VB006-006 | Screw | VV065-005 | Safety ring |



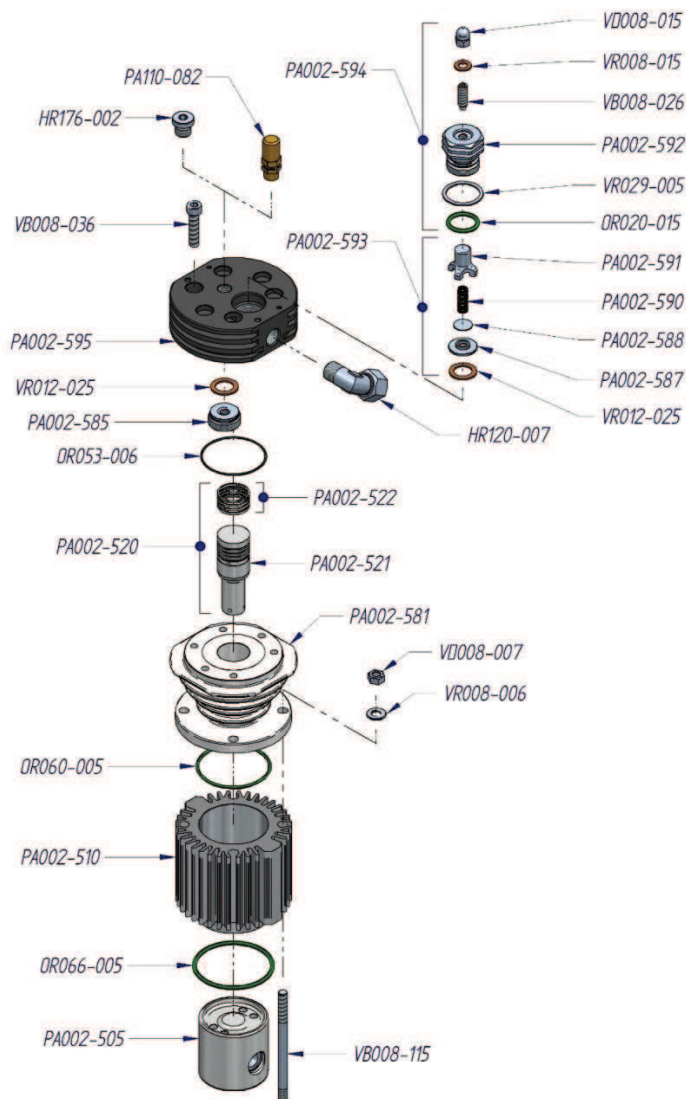
| CODE | DESCRIPTION | CODE | DESCRIPTION | CODE | DESCRIPTION |
|-----------|----------------------------------|-----------|-----------------|-----------|-------------|
| OR304-005 | O-ring | PA001-065 | Oil seal flange | VB008-035 | Screw |
| PA001-045 | Shaft complete of connecting rod | PA001-081 | Pulley | VD016-015 | Nut |
| PA001-050 | Compressor crankcase | PA001-082 | Fan | VR016-020 | Washer |
| PA001-055 | Closing crankcase flange | VB006-006 | Screw | VV006-010 | Pin |
| PA001-060 | Oil seal | VB006-031 | Screw | VV065-005 | Safety ring |



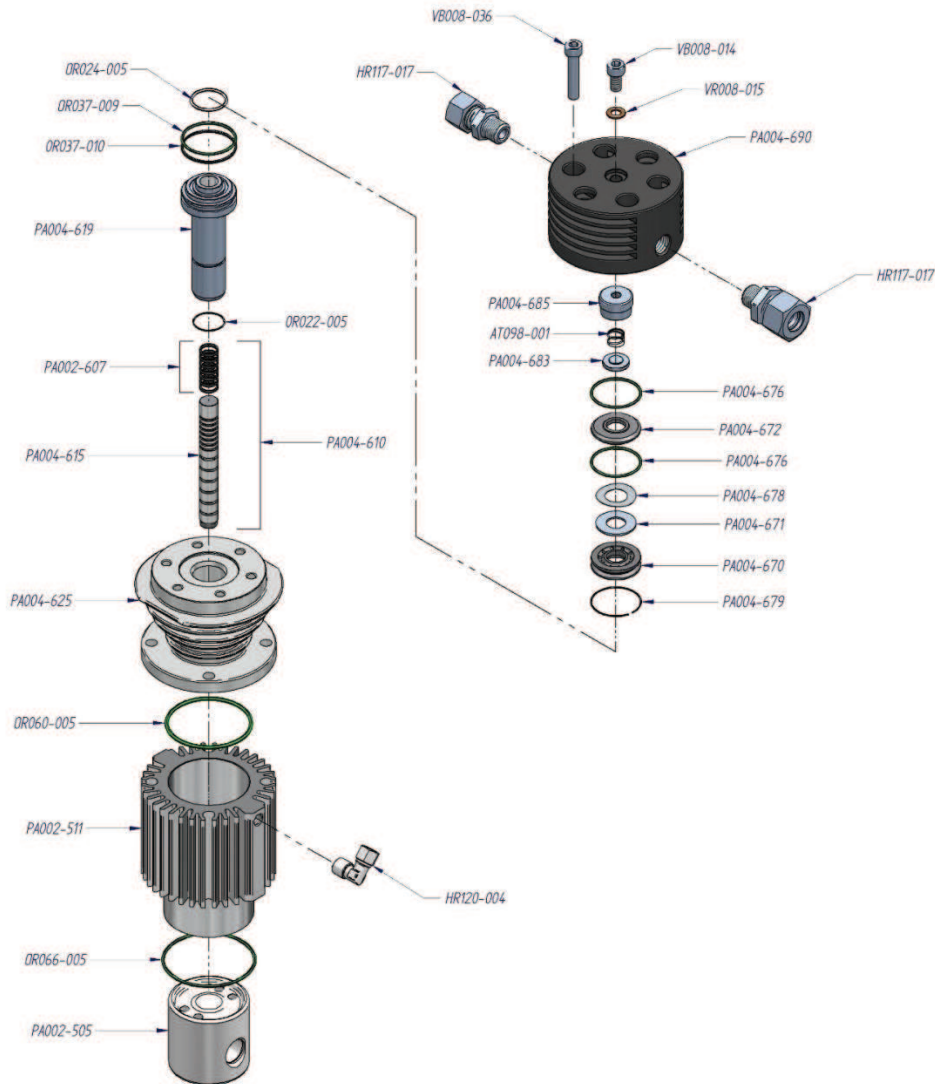
| CODE | DESCRIPTION | CODE | DESCRIPTION | CODE | DESCRIPTION |
|-----------|-------------------------|-----------|----------------------------|-----------|---------------|
| AC006-105 | Ball valve | PA001-096 | Support cooling tube | PA003-010 | Tube oil pump |
| AC008-006 | Ogive for tube 12mm | PA001-105 | Magnetic plug | PA116-800 | Oil alert |
| AC008-007 | Nut for tube 12 mm | PA001-110 | Visual oil level plug | VB004-020 | Screw |
| AC014-010 | Closure plug | PA001-125 | Support cooling tube | VB004-046 | Screw |
| HR117-014 | Pipe fitting | PA001-126 | Support cooling tube | VB006-013 | Screw |
| HR120-014 | Pipe fitting "L" | PA001-135 | Oil pump | VB006-046 | Screw |
| HR173-001 | Closure connection tube | PA001-136 | Closure flange | VB010-010 | Screw |
| HR176-002 | Closure plug | PA001-140 | Oil filter holder chamber | VD004-010 | Nut |
| HR176-006 | Closure plug | PA001-145 | Oil filter | VD010-015 | Nut |
| HR701-012 | Washer gasket | PA001-150 | Closure oil filter chamber | VR010-005 | Washer |
| OR022-010 | O-ring | PA001-200 | Oil fitting pipe | | |
| OR022-015 | O-ring | PA001-201 | Plug | | |
| OR034-005 | O-ring | PA001-208 | Oil separator | | |
| PA001-085 | Support compressor | PA001-210 | Tube | | |
| PA001-095 | Support cooling tube | PA003-005 | Tube oil pump | | |



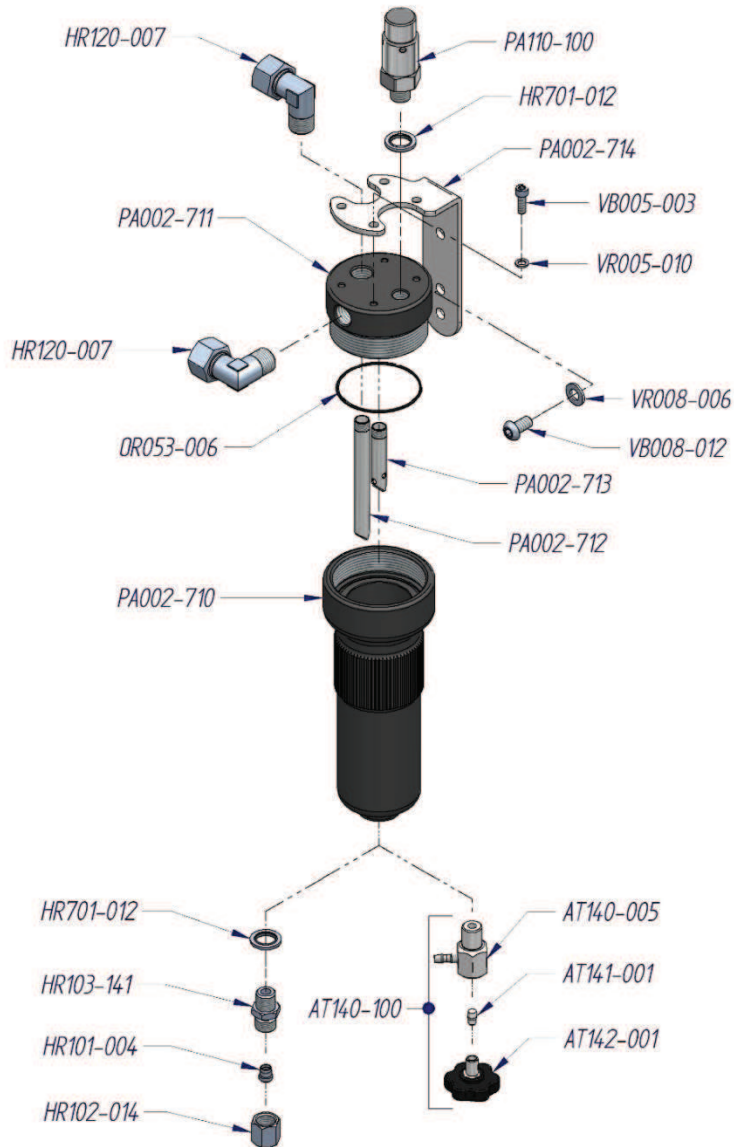
| CODE | DESCRIPTION | CODE | DESCRIPTION | CODE | DESCRIPTION |
|-----------|--------------------|-----------|-----------------------------------|-----------|-------------------------|
| AC008-006 | Ogive | PA002-005 | Complete piston | PA002-190 | Complete intake filter |
| AC008-007 | Nut | PA002-007 | Set Piston rings | PA002-191 | Intake filter cartridge |
| AC017-130 | Pipe fitting "L" | PA002-008 | Piston | VB008-135 | Screw |
| HR125-007 | Pipe fitting "T" | PA002-020 | Cylinder 1 st stage | VB008-140 | Screw |
| HR173-007 | Closure connection | PA002-025 | Plate valve 1 st stage | VD008-007 | Nut |
| OR094-005 | O-ring | PA002-036 | O-ring | VR008-006 | Washer |
| OR100-005 | O-ring | PA002-040 | Head 1 st stage | | |
| OR101-005 | O-ring | PA002-045 | Connection | | |



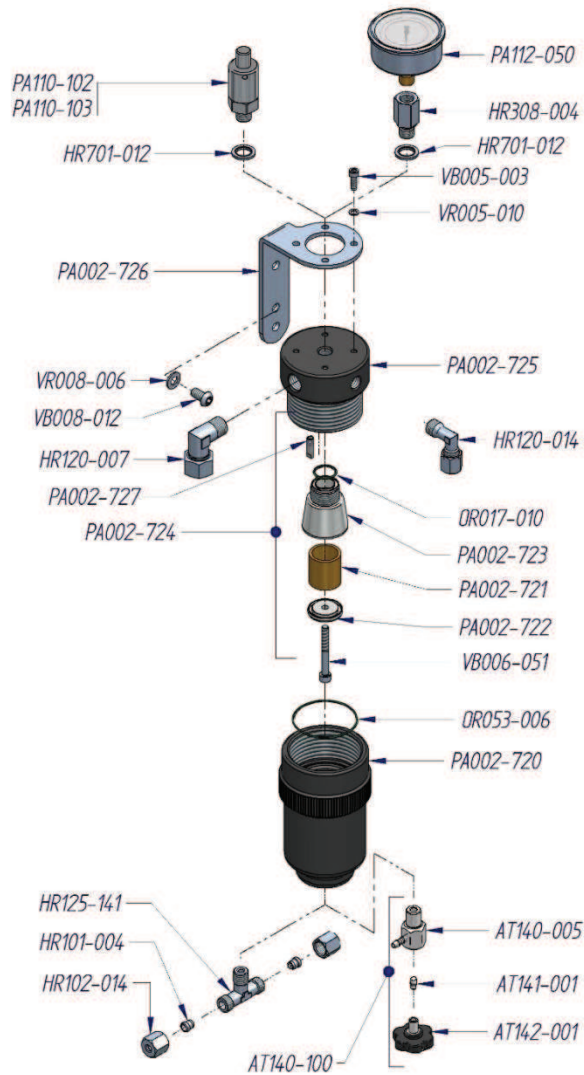
| CODE | DESCRIPTION | CODE | DESCRIPTION | CODE | DESCRIPTION |
|-----------|----------------------------|-----------|----------------------------------|-----------|-------------|
| HR120-007 | Pipe fitting "L" | PA002-581 | Cylinder | VB008-026 | Screw |
| HR176-002 | Closure plug | PA002-585 | Suction valve | VB008-036 | Screw |
| OR020-015 | O-ring | PA002-587 | Valve seat | VB008-115 | Screw |
| OR053-006 | O-ring | PA002-588 | Valve plate | VD008-007 | Nut |
| OR060-005 | O-ring | PA002-590 | Valve spring | VD008-015 | Nut |
| OR066-005 | O-ring | PA002-591 | Pressure valve insert | VR008-006 | Washer |
| PA002-505 | Piston guide | PA002-592 | Valve coupling | VR008-015 | Washer |
| PA002-510 | Cylinder | PA002-593 | Pressure valve insert | VR012-025 | Washer |
| PA002-520 | Complete piston with rings | PA002-594 | Complete coupling pressure valve | VR029-005 | Washer |
| PA002-521 | Piston | PA002-595 | Valve head | | |
| PA002-522 | Set piston rings | PA110-082 | Safety valve | | |



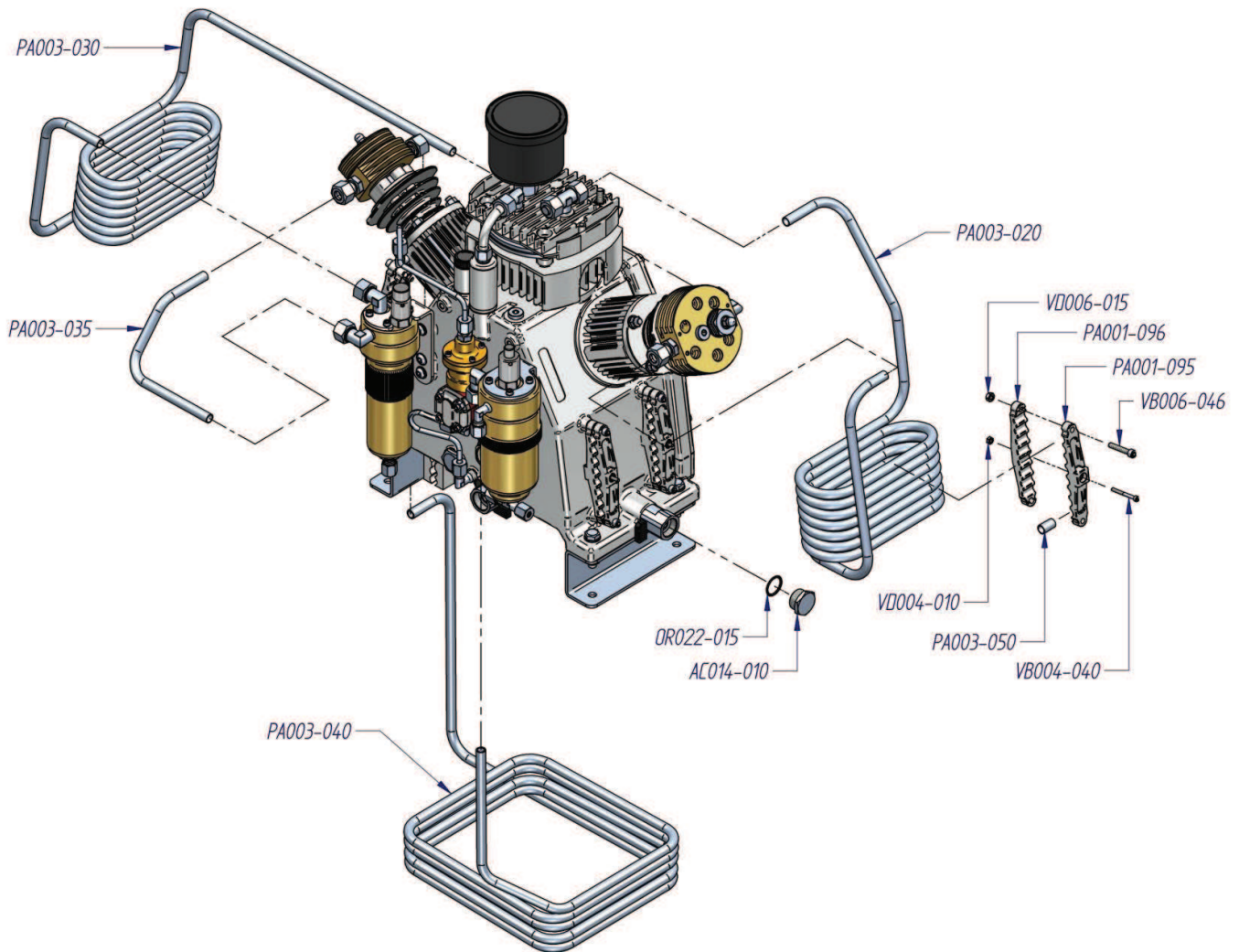
| CODE | DESCRIPTION | CODE | DESCRIPTION | CODE | DESCRIPTION |
|-----------|---------------------|-----------|----------------------------|-----------|---------------|
| AT098-001 | Spring | PA004-615 | Complete piston with rings | PA004-683 | Valve top |
| HR117-017 | Pipe fitting direct | PA004-610 | Piston | PA004-685 | Suction valve |
| HR120-004 | Pipe fitting "L" | PA002-607 | Set piston rings | PA004-690 | Valve head |
| OR037-009 | O-ring | PA004-619 | Cylinder's pipe | VB008-014 | Screw |
| OR037-010 | O-ring | PA004-625 | Cylinder | VB008-036 | Screw |
| OR022-005 | O-ring | PA004-670 | Coupling pressure valve | VR008-015 | Washer |
| OR024-005 | O-ring | PA004-671 | Pressure valve | | |
| OR060-005 | O-ring | PA004-672 | Top valve | | |
| OR066-005 | O-ring | PA004-676 | Special O-Ring | | |
| PA002-505 | Piston guide | PA004-678 | Special spring | | |
| PA002-511 | Cylinder | PA004-679 | Setger valve | | |



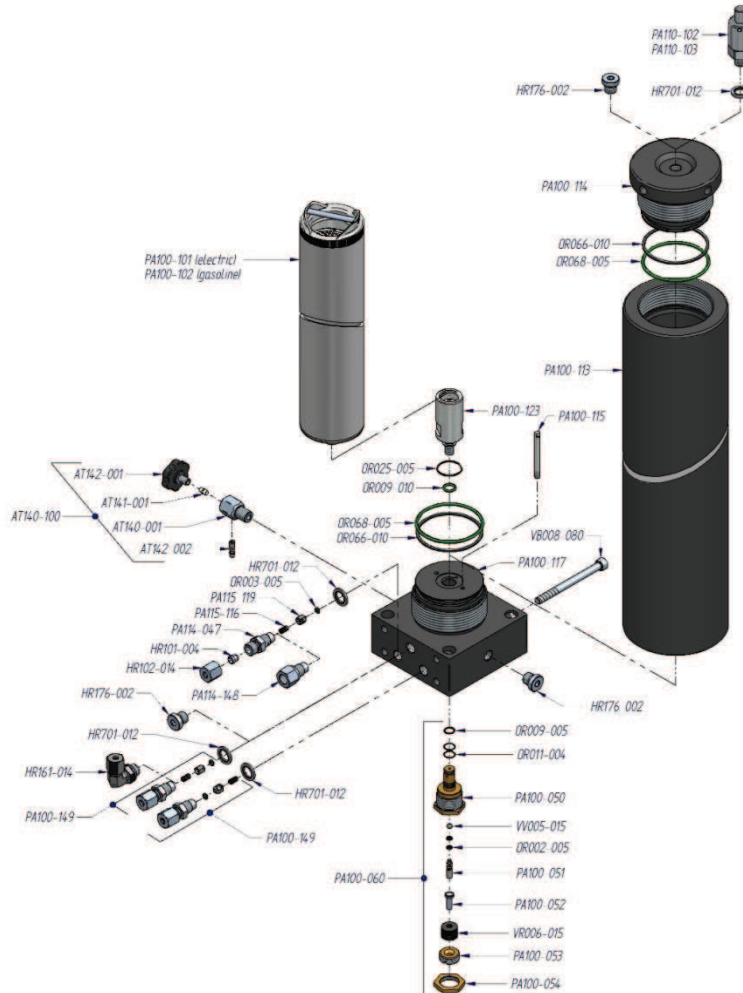
| CODE | DESCRIPTION | CODE | DESCRIPTION | CODE | DESCRIPTION |
|-----------|---------------------------------|-----------|-----------------------|-----------|--------------------------|
| AT140-005 | Body drain valve complete | HR120-007 | Pipe fitting "L" | PA002-714 | Support filter separator |
| AT140-100 | Condensate drain valve complete | HR701-012 | Washer gasket | PA110-100 | Safety valve |
| AT141-001 | Rilsan nut | OR053-006 | O-ring | VB004-021 | Screw |
| AT142-001 | Black screw of discharge | PA002-710 | Body filter separator | VB008-012 | Screw |
| HR101-004 | Ogive | PA002-711 | Head filter separator | VR004-010 | Washer |
| HR102-014 | Nut fitting pipe | PA002-712 | Tube separator | VR008-006 | Washer |
| HR103-141 | Body pipe fitting | PA002-713 | Tube separator | | |



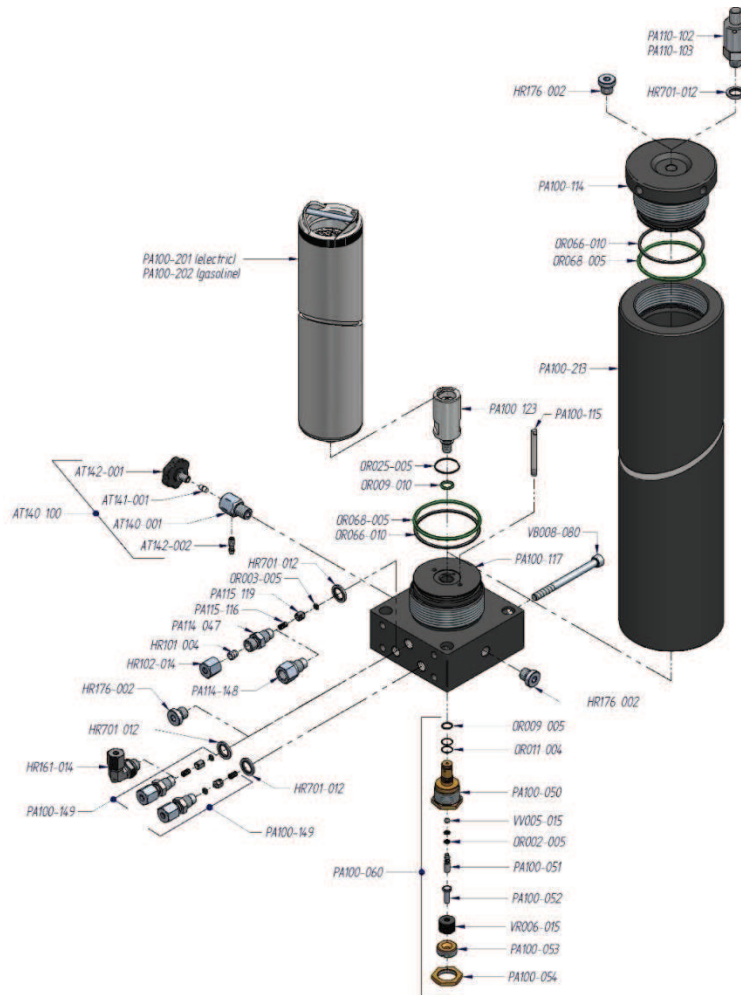
| CODE | DESCRIPTION | CODE | DESCRIPTION | CODE | DESCRIPTION |
|-----------|---------------------------------|-----------|-------------------------------------|-----------|-------------------------|
| AT140-005 | Body drain valve complete | OR017-010 | O-ring | PA110-103 | Safety valve PN 300 bar |
| AT140-100 | Condensate drain valve complete | OR053-006 | O-ring | PA112-050 | Manometer |
| AT141-001 | Rilsan nut | PA002-720 | Body filter separator | VB005-003 | Screw |
| AT142-001 | Black screw of discharge | PA002-721 | Sintered filter | VB006-051 | Screw |
| HR101-004 | Ogive | PA002-722 | Flange | VB008-012 | Screw |
| HR102-014 | Nut filling pipe | PA002-723 | Flange | VR005-010 | Washer |
| HR120-007 | Pipe fitting "L" | PA002-724 | Complete filter separator cartridge | VR008-006 | Washer |
| HR120-014 | Pipe fitting "L" | PA002-725 | Head filter separator | | |
| HR125-141 | Body pipe fitting "T" | PA002-726 | Support filter separator | | |
| HR308-004 | Connection | PA002-727 | Tube separator | | |
| HR701-012 | Washer gasket | PA110-102 | Safety valve PN 200 bar | | |



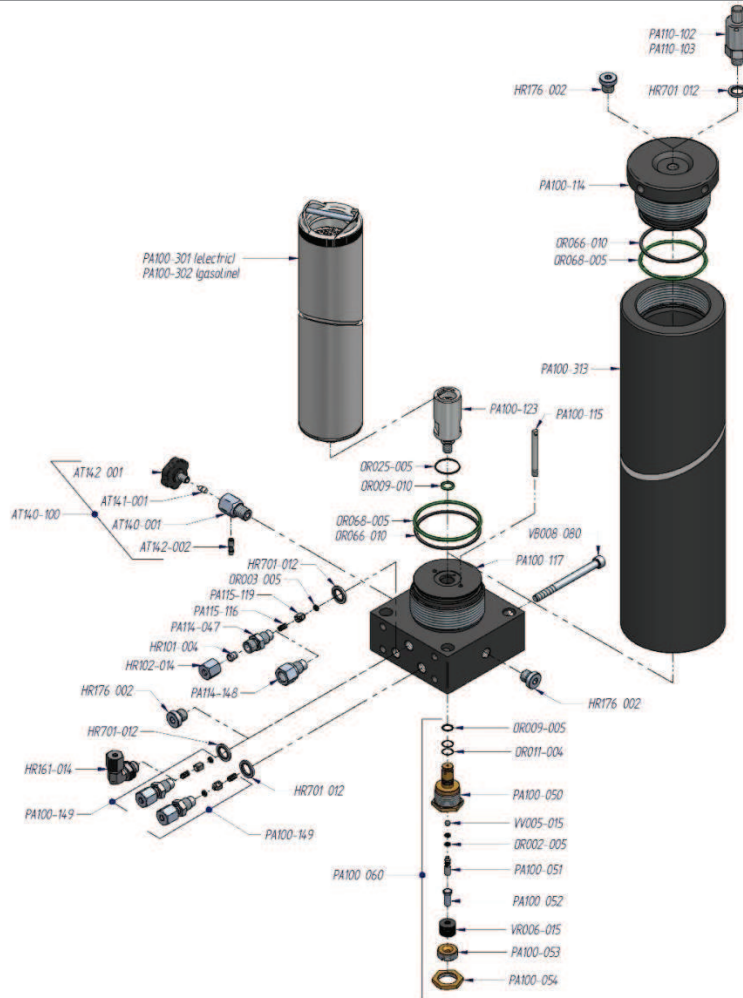
| CODE | DESCRIPTION | CODE | DESCRIPTION | CODE | DESCRIPTION |
|-----------|-------------------|-----------|-----------------|-----------|-------------|
| AC014-010 | Nut | PA003-030 | Inter cooler | VB006-046 | Screw |
| OR022-015 | O-ring | PA003-035 | Connecting tube | VD004-010 | Nut |
| PA001-095 | Fixing for cooler | PA003-040 | Inter cooler | VD006-015 | Nut |
| PA001-096 | Fixing for cooler | PA003-050 | Tube | | |
| PA003-020 | Inter cooler | VB004-040 | Screw | | |



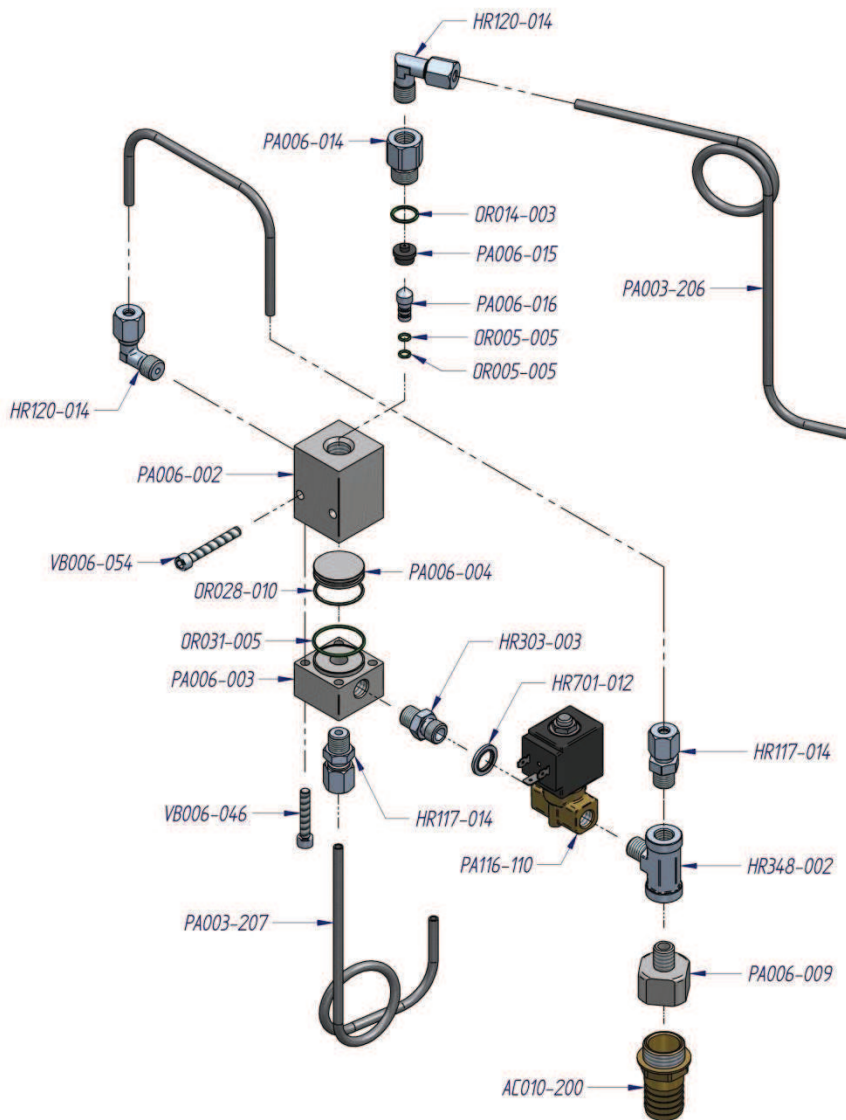
| CODE | DESCRIPTION | CODE | DESCRIPTION | CODE | DESCRIPTION |
|-----------|---------------------------------|-----------|-----------------------------|-----------|------------------------------------|
| AT140-001 | Drain valve housing | OR025-005 | O-ring | PA100-123 | Extension filter |
| AT140-100 | Condensate drain valve complete | OR066-010 | O-ring | PA100-149 | Pipe fitting whit not return valve |
| AT141-001 | Rilsan nut | OR068-005 | O-ring | PA110-102 | Safety valve PN 200 bar |
| AT142-001 | Black screw of discharge | PA100-050 | Maintaining valve insert | PA110-103 | Safety valve PN 300 bar |
| AT142-002 | Drain out | PA100-051 | Piston maintaining valve | PA114-047 | Connection |
| HR101-004 | Ogive | PA100-052 | Spring guide | PA114-148 | Connection |
| HR102-014 | Nut fitting pipe | PA100-053 | Closure plug | PA115-116 | Spring no return valve |
| HR161-014 | Pipe fitting "L" | PA100-054 | Nut | PA115-119 | Piston no return valve |
| HR176-002 | Closure plug | PA100-060 | Maintaining valve complete | VB008-080 | Screw |
| HR701-012 | Washer | PA100-101 | Filter cartridge - electric | VR006-015 | Washer spring |
| OR002-005 | O-ring | PA100-102 | Filter cartridge - gasoline | VV005-015 | Sphere |
| OR003-005 | O-ring | PA100-113 | Filter housing | | |
| OR009-005 | O-ring | PA100-114 | Head filter housing | | |
| OR009-010 | O-ring | PA100-115 | Nozzle | | |
| OR011-004 | O-ring | PA100-117 | Base filter | | |



| CODE | DESCRIPTION | CODE | DESCRIPTION | CODE | DESCRIPTION |
|-----------|---------------------------------|-----------|-----------------------------|-----------|------------------------------------|
| AT140-001 | Drain valve housing | OR025-005 | O-ring | PA100-123 | Extension filter |
| AT140-100 | Condensate drain valve complete | OR066-010 | O-ring | PA100-149 | Pipe fitting whit not return valve |
| AT141-001 | Rilsan nut | OR068-005 | O-ring | PA110-102 | Safety valve PN 200 bar |
| AT142-001 | Black screw of discharge | PA100-050 | Maintaining valve insert | PA110-103 | Safety valve PN 300 bar |
| AT142-002 | Drain out | PA100-051 | Piston maintaining valve | PA114-047 | Connection |
| HR101-004 | Ogive | PA100-052 | Spring guide | PA114-148 | Connection |
| HR102-014 | Nut fitting pipe | PA100-053 | Closure plug | PA115-116 | Spring no return valve |
| HR161-014 | Pipe fitting "L" | PA100-054 | Nut | PA115-119 | Piston no return valve |
| HR176-002 | Closure plug | PA100-060 | Maintaining valve complete | VB008-080 | Screw |
| HR701-012 | Washer | PA100-201 | Filter cartridge - electric | VR006-015 | Washer spring |
| OR002-005 | O-ring | PA100-202 | Filter cartridge - gasoline | VV005-015 | Sphere |
| OR003-005 | O-ring | PA100-213 | Filter housing | | |
| OR009-005 | O-ring | PA100-114 | Head filter housing | | |
| OR009-010 | O-ring | PA100-115 | Nozzle | | |
| OR011-004 | O-ring | PA100-117 | Base filter | | |



| CODE | DESCRIPTION | CODE | DESCRIPTION | CODE | DESCRIPTION |
|-----------|---------------------------------|-----------|-----------------------------|-----------|------------------------------------|
| AT140-001 | Drain valve housing | OR025-005 | O-ring | PA100-123 | Extension filter |
| AT140-100 | Condensate drain valve complete | OR066-010 | O-ring | PA100-149 | Pipe fitting whit not return valve |
| AT141-001 | Rilsan nut | OR068-005 | O-ring | PA110-102 | Safety valve PN 200 bar |
| AT142-001 | Black screw of discharge | PA100-050 | Maintaining valve insert | PA110-103 | Safety valve PN 300 bar |
| AT142-002 | Drain out | PA100-051 | Piston maintaining valve | PA114-047 | Connection |
| HR101-004 | Ogive | PA100-052 | Spring guide | PA114-148 | Connection |
| HR102-014 | Nut fitting pipe | PA100-053 | Closure plug | PA115-116 | Spring no return valve |
| HR161-014 | Pipe fitting "L" | PA100-054 | Nut | PA115-119 | Piston no return valve |
| HR176-002 | Closure plug | PA100-060 | Maintaining valve complete | VB008-080 | Screw |
| HR701-012 | Washer | PA100-301 | Filter cartridge - electric | VR006-015 | Washer spring |
| OR002-005 | O-ring | PA100-302 | Filter cartridge - gasoline | VV005-015 | Sphere |
| OR003-005 | O-ring | PA100-313 | Filter housing | | |
| OR009-005 | O-ring | PA100-114 | Head filter housing | | |
| OR009-010 | O-ring | PA100-115 | Nozzle | | |
| OR011-004 | O-ring | PA100-117 | Base filter | | |

PEZZI DI RICAMBIO
CNG 5
Scarico gas


| CODE | DESCRIPTION | CODE | DESCRIPTION | CODE | DESCRIPTION |
|-----------|-----------------|-----------|------------------------------|-----------|---------------------------|
| AC010-200 | Resca DN25 | OR028-010 | O-ring | PA006-014 | Raccordo blocchetto |
| HR117-114 | Raccordo dritto | OR031-005 | O-ring | PA006-015 | Piattello scarico |
| HR120-014 | Raccordo L | PA003-206 | Tubo connessione | PA006-016 | Inserto piattello scarico |
| HR303-003 | Raccordo dritto | PA003-207 | Tubo connessione | PA116-110 | Elettrovalvola EVM |
| HR348-002 | Raccordo T | PA006-002 | Blocchetto Scarico | VB006-054 | Vite |
| HR701-012 | Rondella | PA006-003 | Base blocchetto | VB006-046 | Vite |
| OR005-005 | O-ring | PA006-004 | Piattello blocchetto scarico | | |
| OR014-003 | O-ring | PA006-009 | Raccordo riduzione | | |