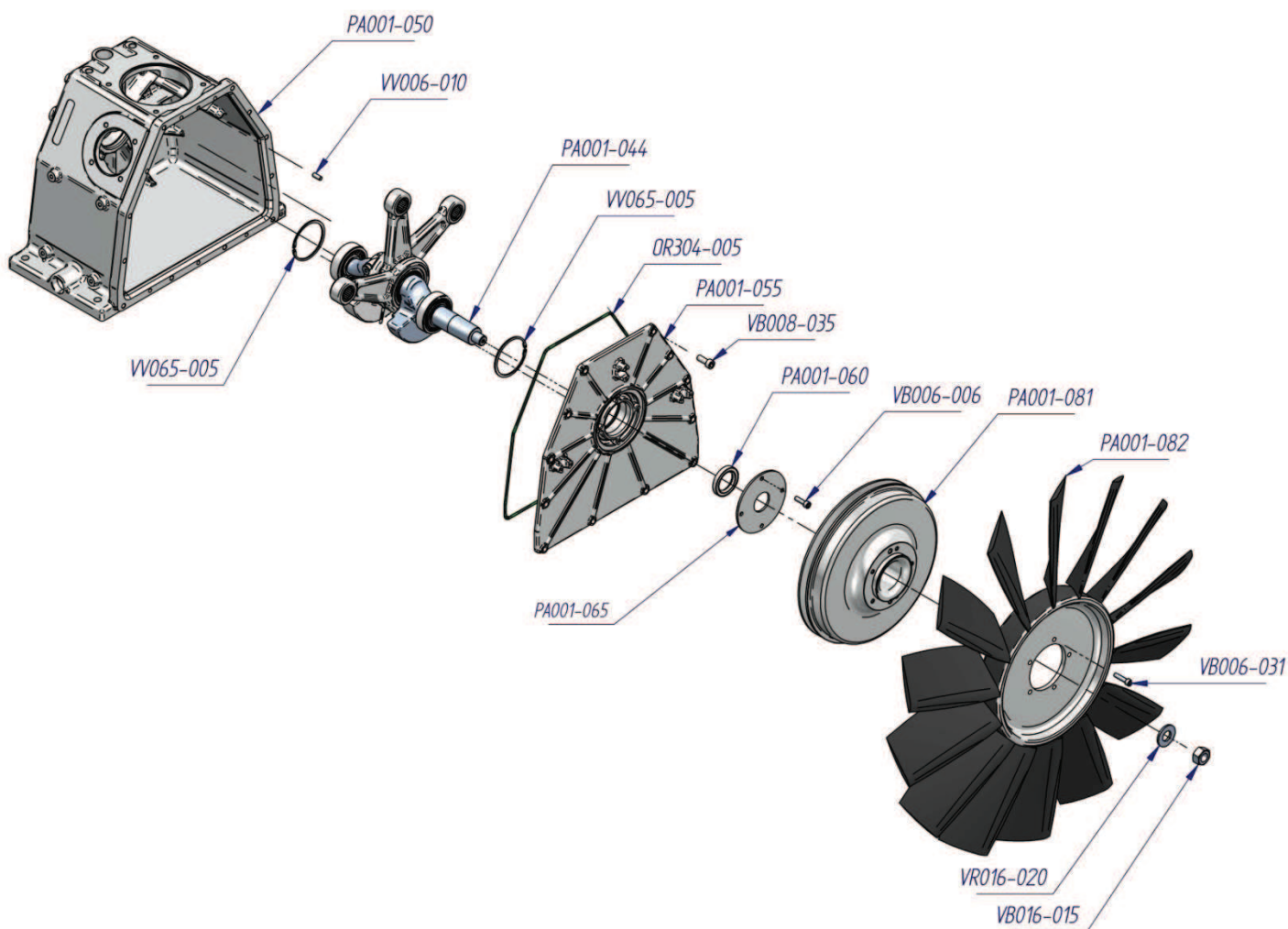


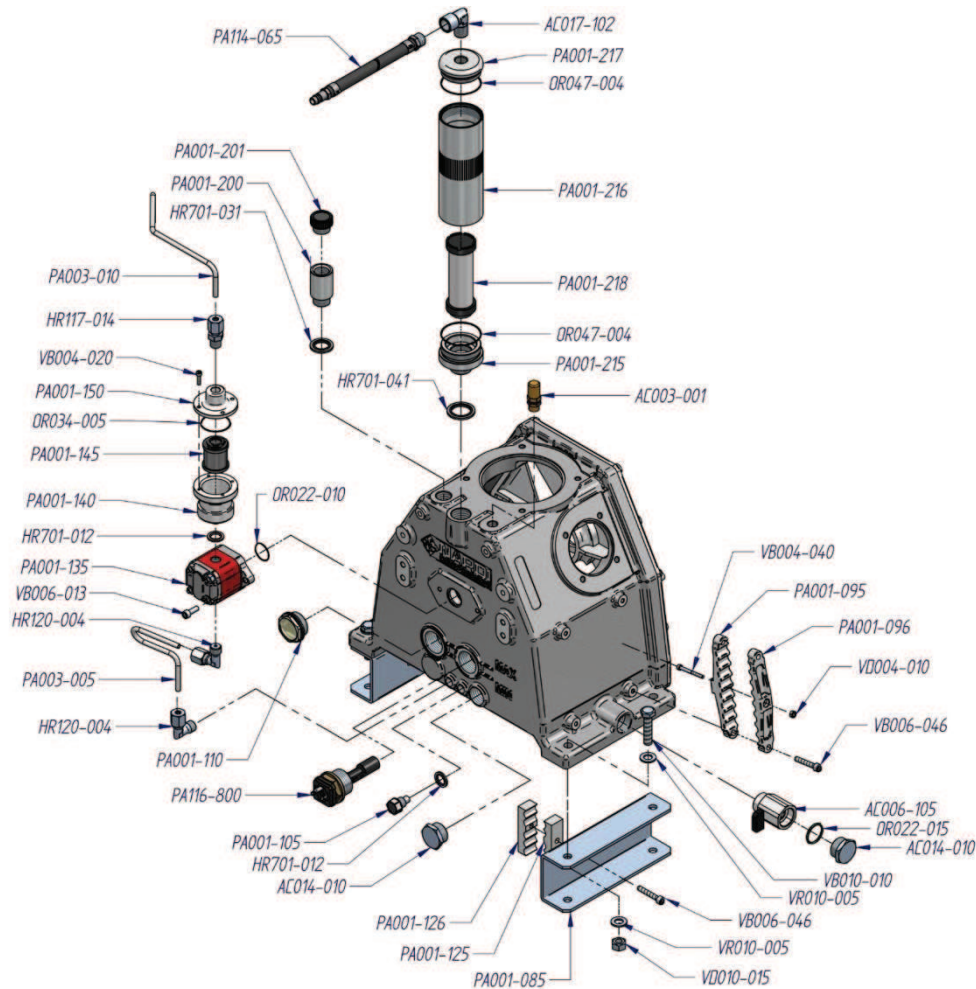
CODE	DESCRIPTION	CODE	DESCRIPTION	CODE	DESCRIPTION
PA001-005	Shaft	PA001-025	Roller bearing	VD008-010	Nut
PA001-010	Counterbalance	PA001-030	Roller bearing	VR030-005	Washer
PA001-015	Connecting rod with oil thrower pin	PA001-035	Roller bearing	VV025-005	Safety ring
PA001-020	Connecting rod	VB008-030	Screw	VV030-005	Safety ring



CODE	DESCRIPTION	CODE	DESCRIPTION	CODE	DESCRIPTION
OR304-005	O-ring	PA001-065	Oil seal flange	VB008-035	Screw
PA001-044	Shaft complete of connecting rod	PA001-081	Pulley	VD016-015	Nut
PA001-050	Compressor crankcase	PA001-082	Fan	VR016-020	Washer
PA001-055	Closing crankcase flange	VB006-006	Screw	VV006-010	Pin
PA001-060	Oil seal	VB006-031	Screw	VV065-005	Safety ring

**SPARE PARTS
BOOSTER 55- 350
Crankcase whit accessories**

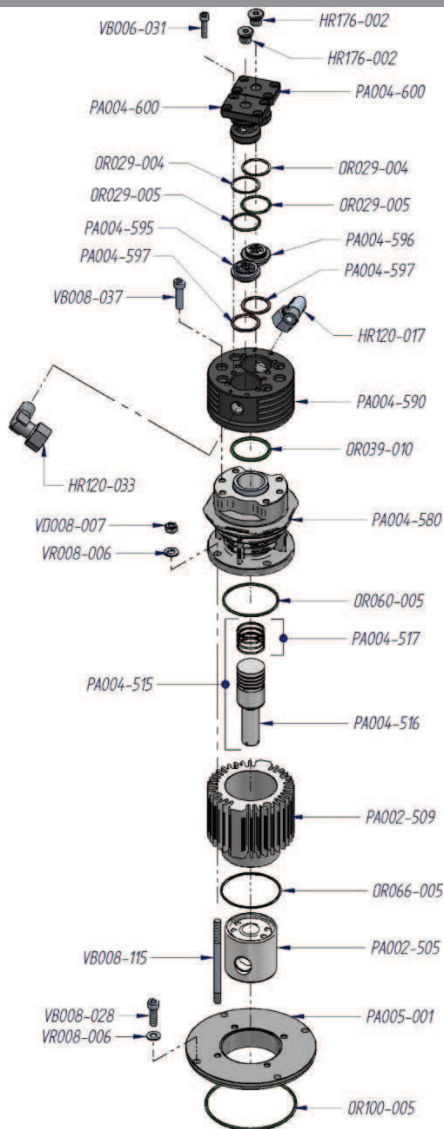
BOO001-062 Rev.02
Date 02/07/2015



CODE	DESCRIPTION	CODE	DESCRIPTION	CODE	DESCRIPTION
AC003-001	Safety valve	PA001-096	Support cooling tube	PA003-005	Tube oil pump
AC006-105	Ball valve	PA001-105	Magnetic plug	PA003-010	Tube oil pump
AC014-010	Closure plug	PA001-110	Visual oil level plug	PA114-065	Tube drain
AC017-102	Pipe filling "L"	PA001-125	Support cooling tube	PA116-800	Oil alert
HR117-014	Pipe fitting	PA001-126	Support cooling tube	VB004-020	Screw
HR120-004	Pipe fitting "L"	PA001-135	Oil pump	VB004-040	Screw
HR701-012	Washer	PA001-140	Oil filter holder chamber	VB006-013	Screw
HR701-031	Washer	PA001-145	Oil filter	VB006-046	Screw
HR701-041	Washer	PA001-150	Closure oil filter chamber	VB010-010	Screw
OR022-010	O-ring	PA001-200	Oil fitting pipe	VD004-010	Nut
OR022-015	O-ring	PA001-201	Plug	VD010-015	Nut
OR034-005	O-ring	PA001-215	Oil separator flange	VR010-005	Washer
OR047-004	O-ring	PA001-216	Oil separator body		
PA001-085	Support compressor	PA001-217	Oil separator flange		
PA001-095	Support cooling tube	PA001-218	Oil separator cartridge		

**SPARE PARTS
BOOSTER 55 - 350
2nd STAGE CENTRAL**

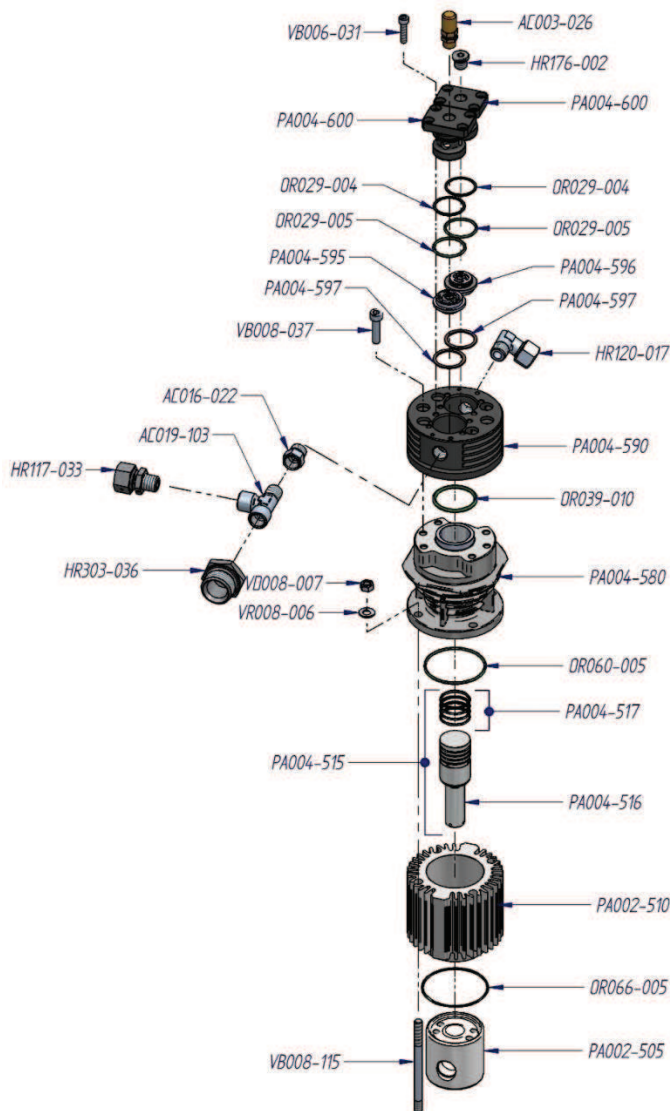
BOO002-037 Rev.01
Date 12/02/2015



CODE	DESCRIPTION	CODE	DESCRIPTION	CODE	DESCRIPTION
HR120-017	Pipe fitting "L"	PA002-509	Cylinder	PA005-001	Flange
HR120-033	Pipe fitting "L"	PA002-515	Complete piston with rings	VB006-031	Screw
HR176-002	Closure plug	PA002-516	Piston	VB008-028	Screw
OR029-004	O-ring	PA002-517	Set piston rings	VB008-037	Screw
OR029-005	O-ring	PA004-580	Cylinder	VB008-115	Screw
OR039-010	O-ring	PA004-590	Valve head	VD008-007	Nut
OR060-005	O-ring	PA004-595	Valve	VR008-006	Washer
OR066-005	O-ring	PA004-596	Valve		
OR100-005	O-ring	PA004-597	Seal		
PA002-505	Piston guide	PA004-600	Cover valve		

**SPARE PARTS
BOOSTER 55 - 350
2nd STAGE SIDE**

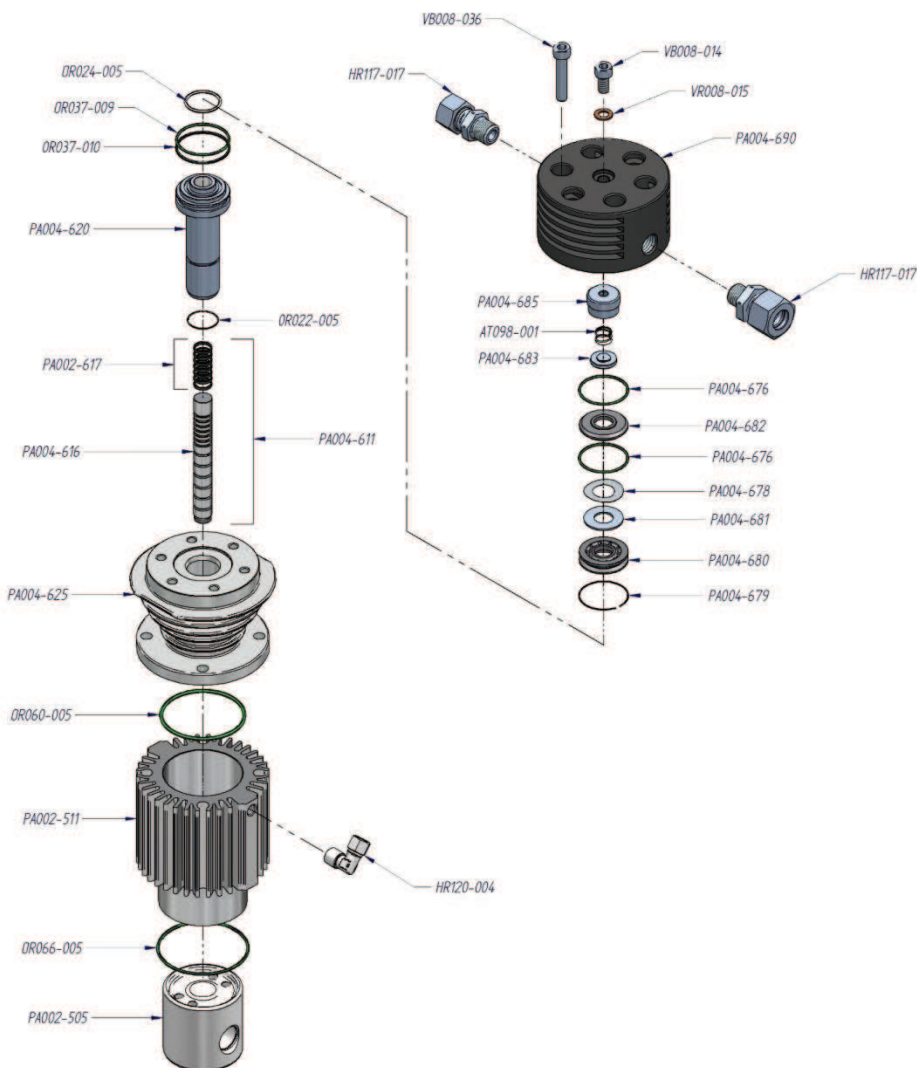
BOO002-036 Rev.02
Date 02/07/2015



CODE	DESCRIPTION	CODE	DESCRIPTION	CODE	DESCRIPTION
AC003-026	Safety valve	OR060-005	O-ring	PA004-596	Valve
AC016-022	Connection	OR066-005	O-ring	PA004-597	Seal
AC019-103	Pipe fitting "T"	PA002-505	Piston guide	PA004-600	Cover valve
HR117-033	Pipe fitting	PA004-510	Cylinder	VB006-031	Screw
HR120-017	Pipe fitting "L"	PA004-515	Complete piston with rings	VB008-037	Screw
HR176-002	Closure plug	PA004-516	Piston	VB008-115	Screw
HR303-036	Reduction	PA004-517	Set piston rings	VD008-007	Nut
OR029-004	O-ring	PA004-580	Cylinder	VR008-006	Washer
OR029-005	O-ring	PA004-590	Valve head		
OR039-010	O-ring	PA004-595	Valve		

**SPARE PARTS
BOOSTER 55 - 350
Third Stage**

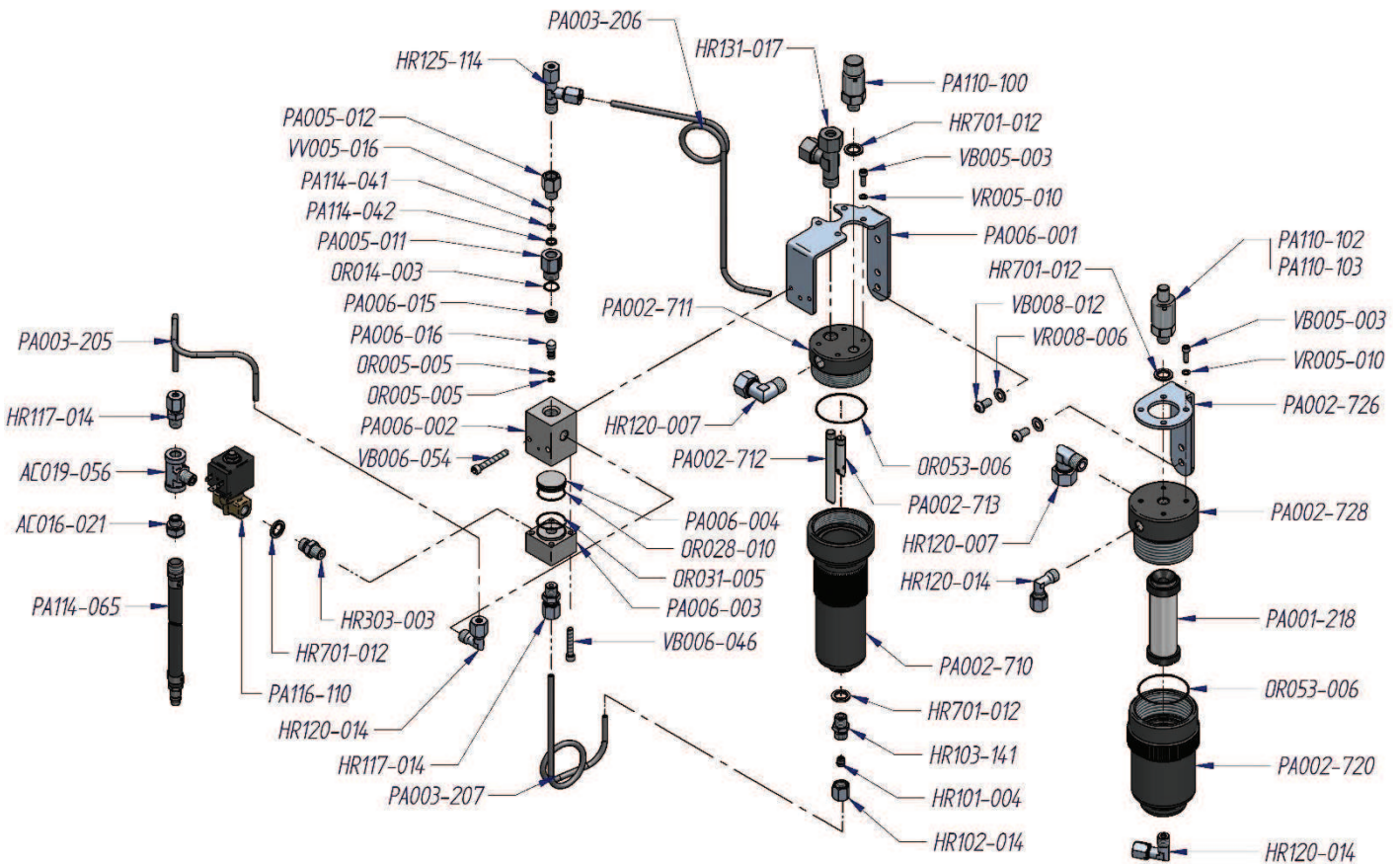
BOO002-014 Rev.01
Date 03/06/2014



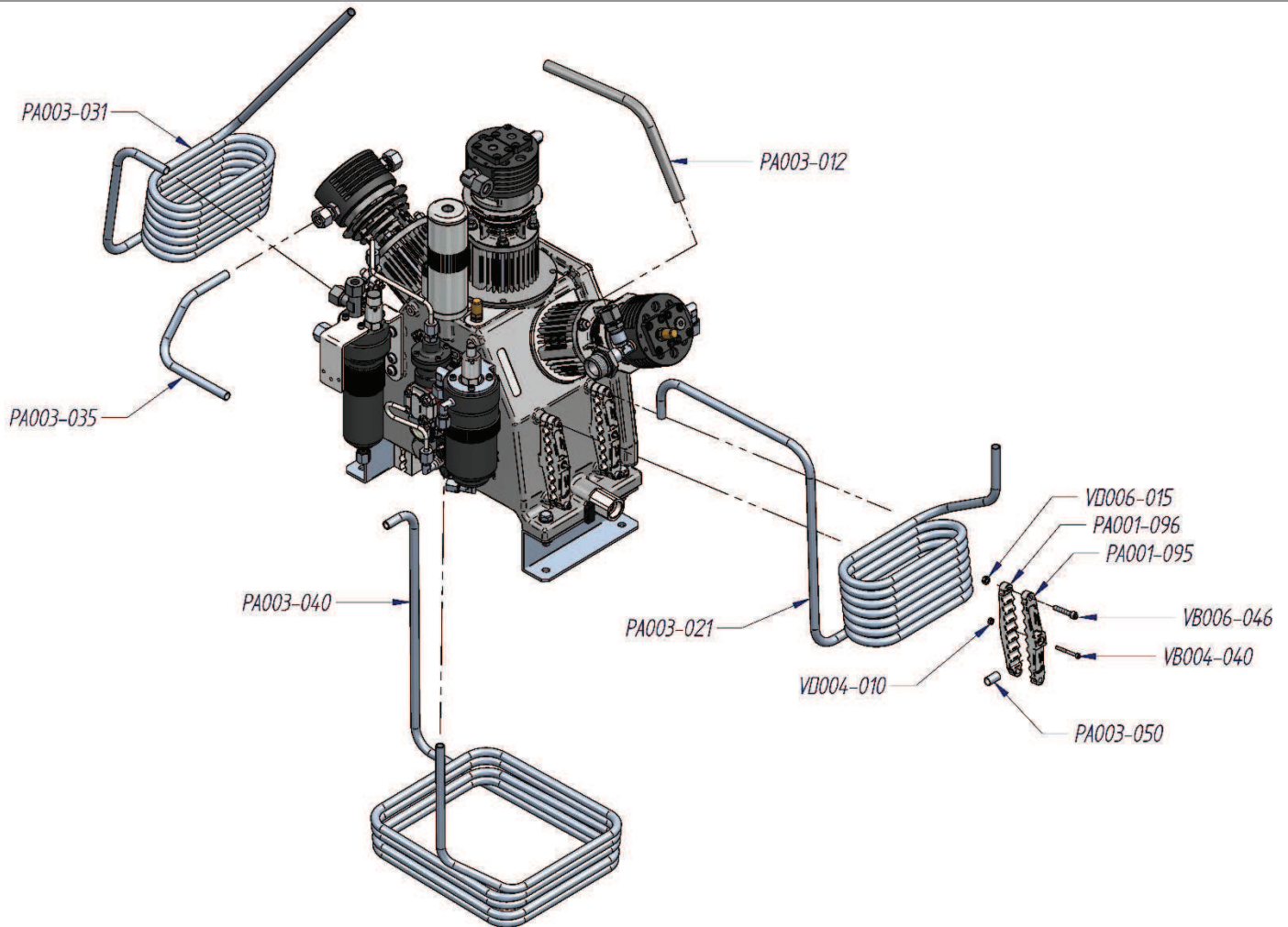
CODE	DESCRIPTION	CODE	DESCRIPTION	CODE	DESCRIPTION
AT098-001	Spring	PA004-611	Complete piston with rings	PA004-683	Valve top
HR117-017	Pipe fitting direct	PA004-616	Piston	PA004-685	Suction valve
HR120-004	Pipe fitting "L"	PA002-617	Set piston rings	PA004-690	Valve head
OR037-009	O-ring	PA004-620	Cylinder's pipe	VB008-014	Screw
OR037-010	O-ring	PA004-625	Cylinder	VB008-036	Screw
OR022-005	O-ring	PA004-680	Coupling pressure valve	VR008-015	Washer
OR024-005	O-ring	PA004-681	Pressure valve		
OR060-005	O-ring	PA004-682	Top valve		
OR066-005	O-ring	PA004-676	Special O-Ring		
PA002-505	Piston guide	PA004-678	Special spring		
PA002-511	Cylinder	PA004-679	Setger valve		

**SPARE PARTS
BOOSTER 55 - 350
Filter Separator and Drain valve**

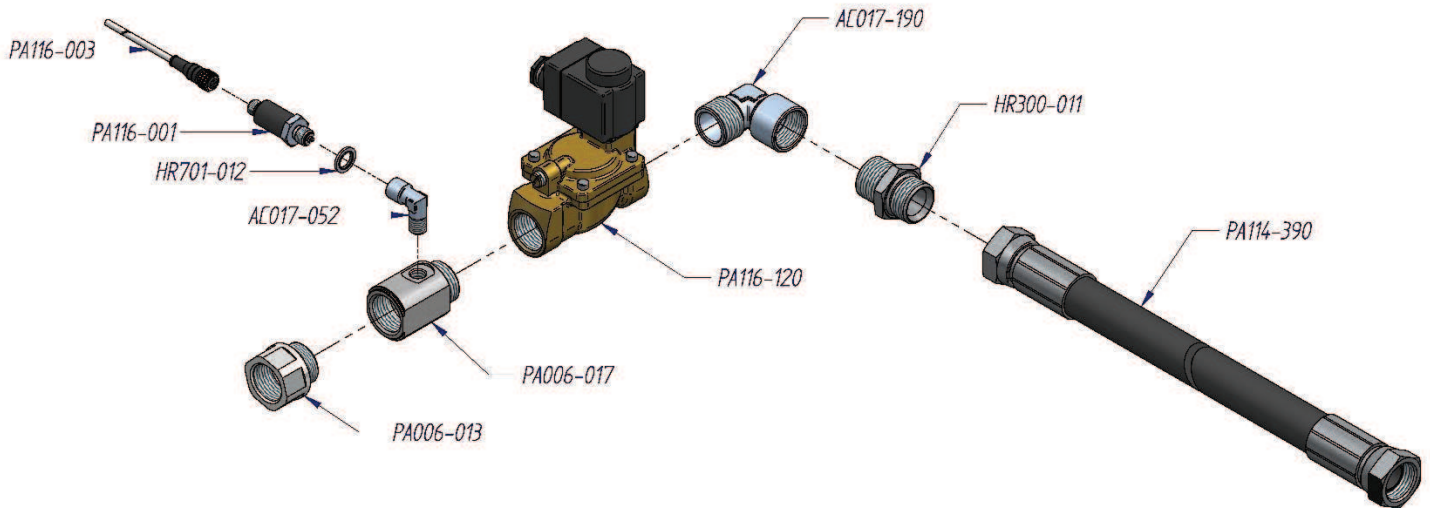
BOO005-010 Rev.01
Date 03/07/2015



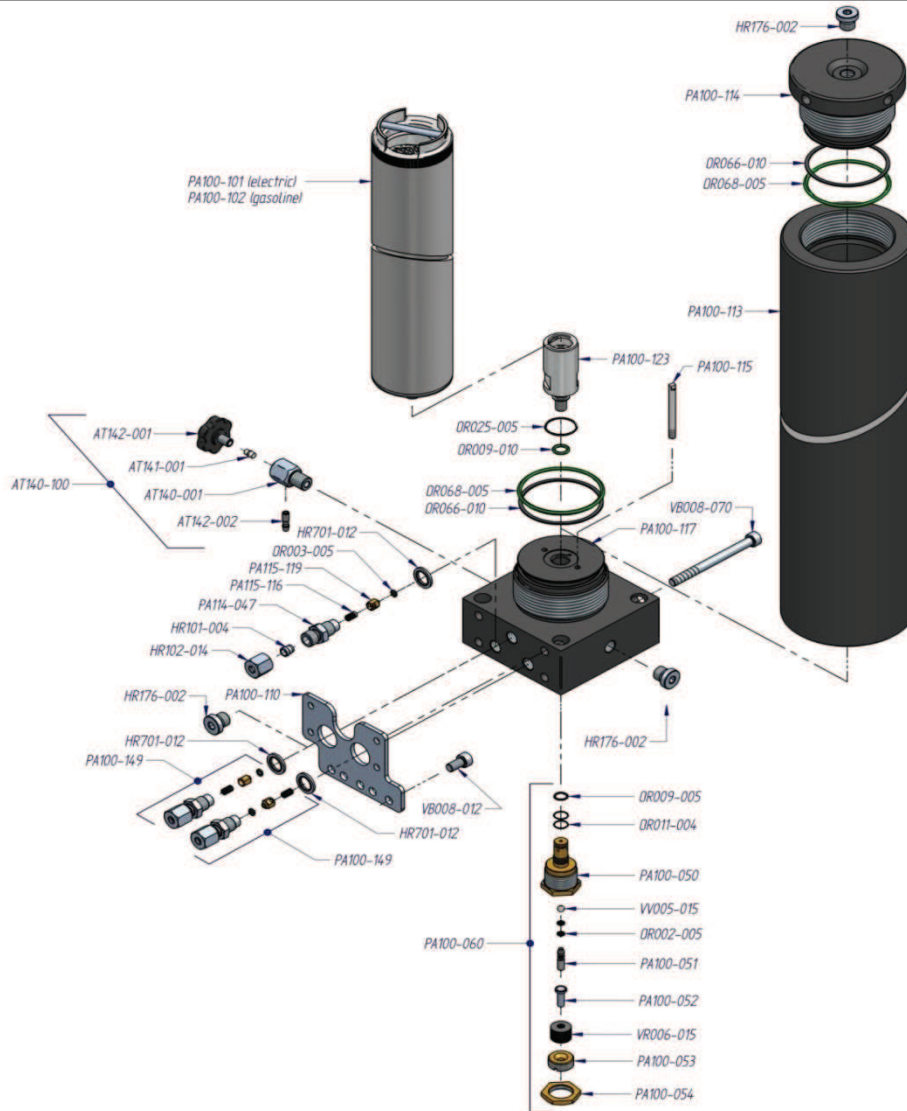
CODE	DESCRIPTION	CODE	DESCRIPTION	CODE	DESCRIPTION
AC016-021	Reduction	PA002-710	Body filter separator	PA110-100	Safety valve
AC019-056	Pipe fitting "T"	PA002-711	Head filter separator	PA110-102	Safety valve PN 200 bar
HR117-014	Pipe fitting "L"	PA002-712	Tube separator	PA110-103	Safety valve PN 300 bar
HR101-004	Ogive	PA002-713	Tube separator	PA114-041	Reduction ring
HR102-014	Nut filling pipe	PA002-720	Body filter separator	PA114-042	Seal ring
HR103-141	Pipe fitting	PA002-726	Support filter separator	PA114-065	Tube drain
HR120-007	Pipe fitting "L"	PA002-728	Head filter separator	PA116-110	Solenoid valve
HR120-014	Pipe fitting "L"	PA003-205	Tube	VB005-003	Screw
HR125-114	Pipe fitting "T"	PA003-206	Tube	VB006-046	Screw
HR131-017	Pipe fitting "T"	PA003-207	Tube	VB006-054	Screw
HR303-003	Filling hose	PA005-011	Connection	VB008-012	Screw
HR701-012	Washer	PA005-012	Connection	VR005-010	Washer
OR005-005	O-ring	PA006-001	Support drain valve and filter separator	VR008-006	Washer
OR014-003	O-ring	PA006-002	Body drain valve	VV005-016	Sphere
OR028-010	O-ring	PA006-003	Base of body drain valve		
OR031-005	O-ring	PA006-004	Piston drain valve		
OR053-006	O-ring	PA006-015	Piston seal		
PA001-218	Oil separator cartridge	PA006-016	Piston valve		



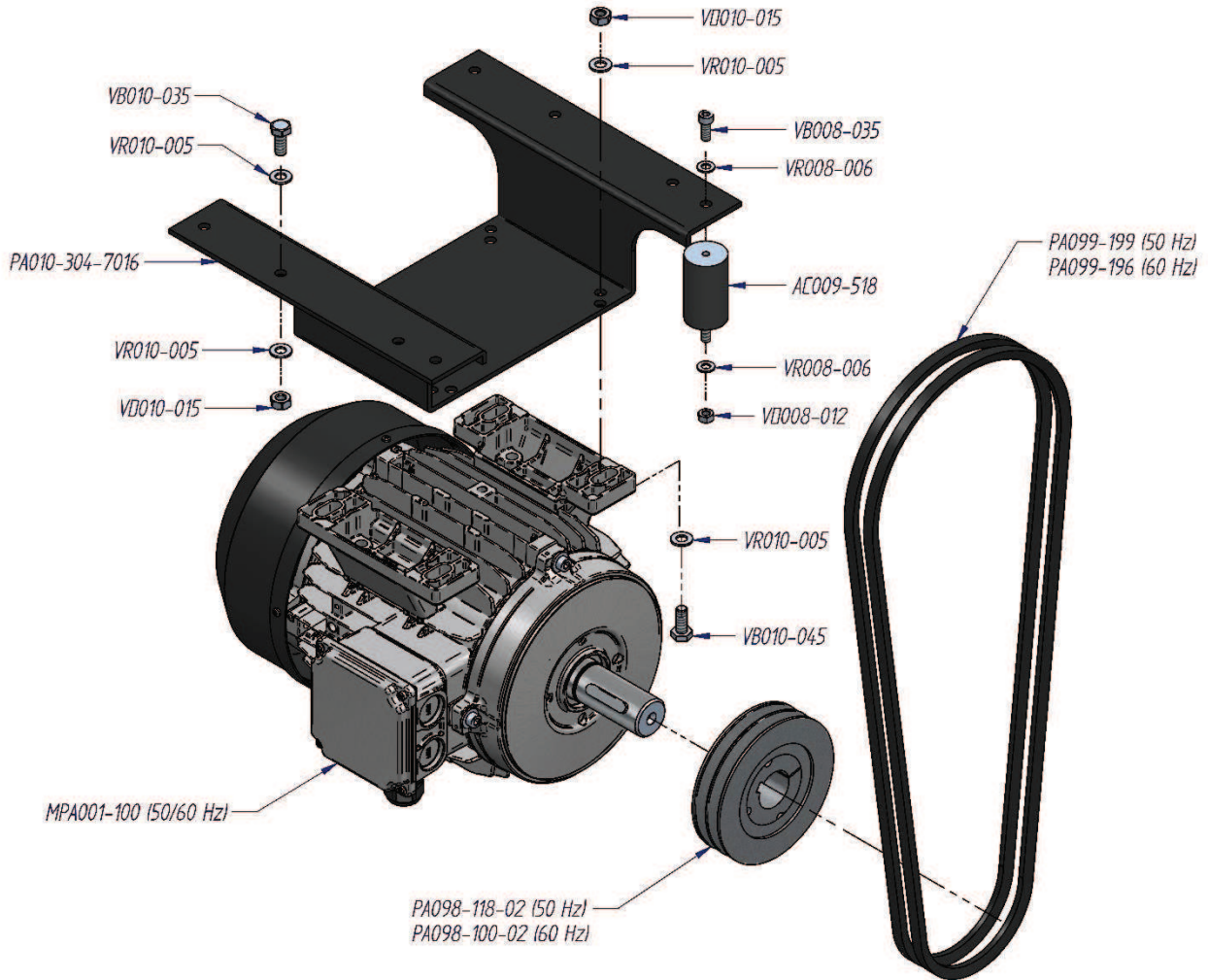
CODE	DESCRIPTION	CODE	DESCRIPTION	CODE	DESCRIPTION
PA001-095	Fixing for cooler	PA003-035	Connecting tube	VD004-010	Nut
PA001-096	Fixing for cooler	PA003-040	Inter cooler	VD006-015	Nut
PA003-012	Connecting tube	PA003-050	Tube		
PA003-021	Inter cooler	VB004-040	Screw		
PA003-031	Inter cooler	VB006-046	Screw		



CODE	DESCRIPTION	CODE	DESCRIPTION	CODE	DESCRIPTION
AC017-052	Pipe fitting "L"	PA006-013	Connection	PA116-003	Connector
AC017-190	Pipe fitting "L"	PA006-017	Connector	PA116-120	Solenoid valve
HR300-011	Connection	PA114-390	Tube		
HR701-012	Washer	PA116-001	Transductor		



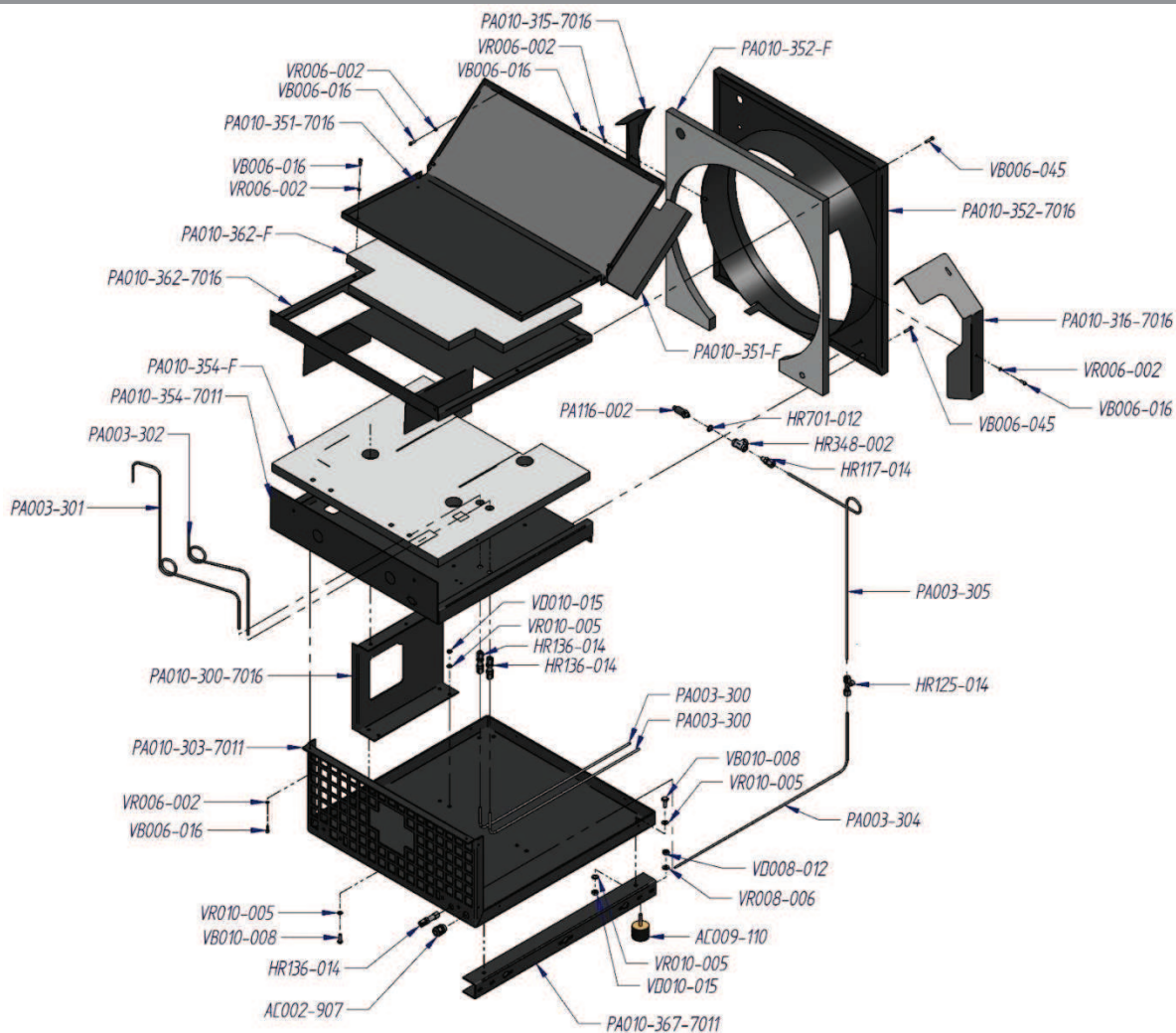
CODE	DESCRIPTION	CODE	DESCRIPTION	CODE	DESCRIPTION
AT140-001	Corpo valvola di drenaggio	OR011-004	O-ring	PA100-113	Corpo filtro
AT140-100	Valvola di drenaggio completa	OR025-005	O-ring	PA100-114	Testa corpo filtro
AT141-001	Tappo di chiusura valvola	OR066-010	O-ring	PA100-115	Ugello
AT142-001	Manopola valvola di drenaggio	OR068-005	O-ring	PA100-117	Base filtro
AT142-002	Uscita drenaggio	PA100-050	Inserto valvola di mantenimento	PA100-123	Prolunga cartuccia filtro
HR101-004	Ogiva tubo 6	PA100-051	Pistone valvola di mantenimento	PA100-149	Valvola di non ritorno filtro
HR102-014	Dado per ogiva tubo 6	PA100-052	Guida per molle a tazza	PA114-047	Raccordo valv. non rit. + tubo 6 mm
HR176-002	Tappo di chiusura 1/4"	PA100-053	Tappo di chiusura	PA115-116	Molla valv. non ritorno
HR701-012	Rondella	PA100-054	Dado	PA115-119	Otturatore valv. non rit.
OR002-005	O-ring	PA100-060	Valvola di mantenimento completa	VB008-012	Vite
OR003-005	O-ring	PA100-101	Cartuccia filtro - elettrico	VB008-070	Vite
OR009-005	O-ring	PA100-102	Cartuccia filtro - gasolio	VR006-015	Molla a tazza
OR009-010	O-ring	PA100-102	Cartuccia filtro - gasolio		



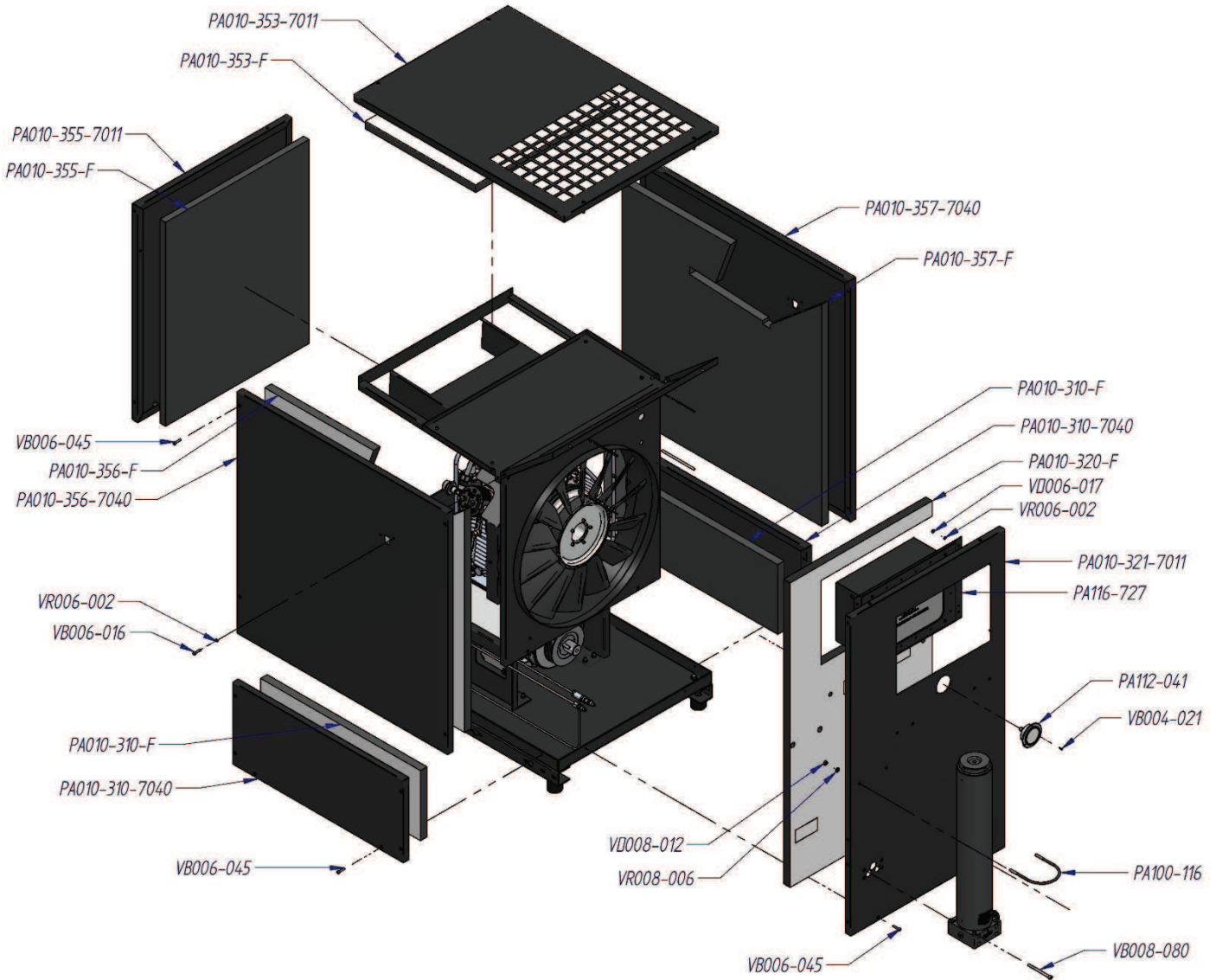
CODE	DESCRIPTION	CODE	DESCRIPTION	CODE	DESCRIPTION
AC009-518	Antivibration	PA099-199	Belt	VD008-012	Nut
PA010-304-7016	Support	MPA001-100	Electric motor IE3	VD010-015	Nut
PA098-100-02	Pulley	VB008-035	Screw	VR008-006	Washer
PA098-118-02	Pulley	VB010-035	Screw	VR010-005	Washer
PA099-196	Belt	VB010-045	Screw		

**SPARE PARTS
BOOSTER 55 - 350
Internal frame**

BOO005-013-A Rev.01
Date 01/07/2015



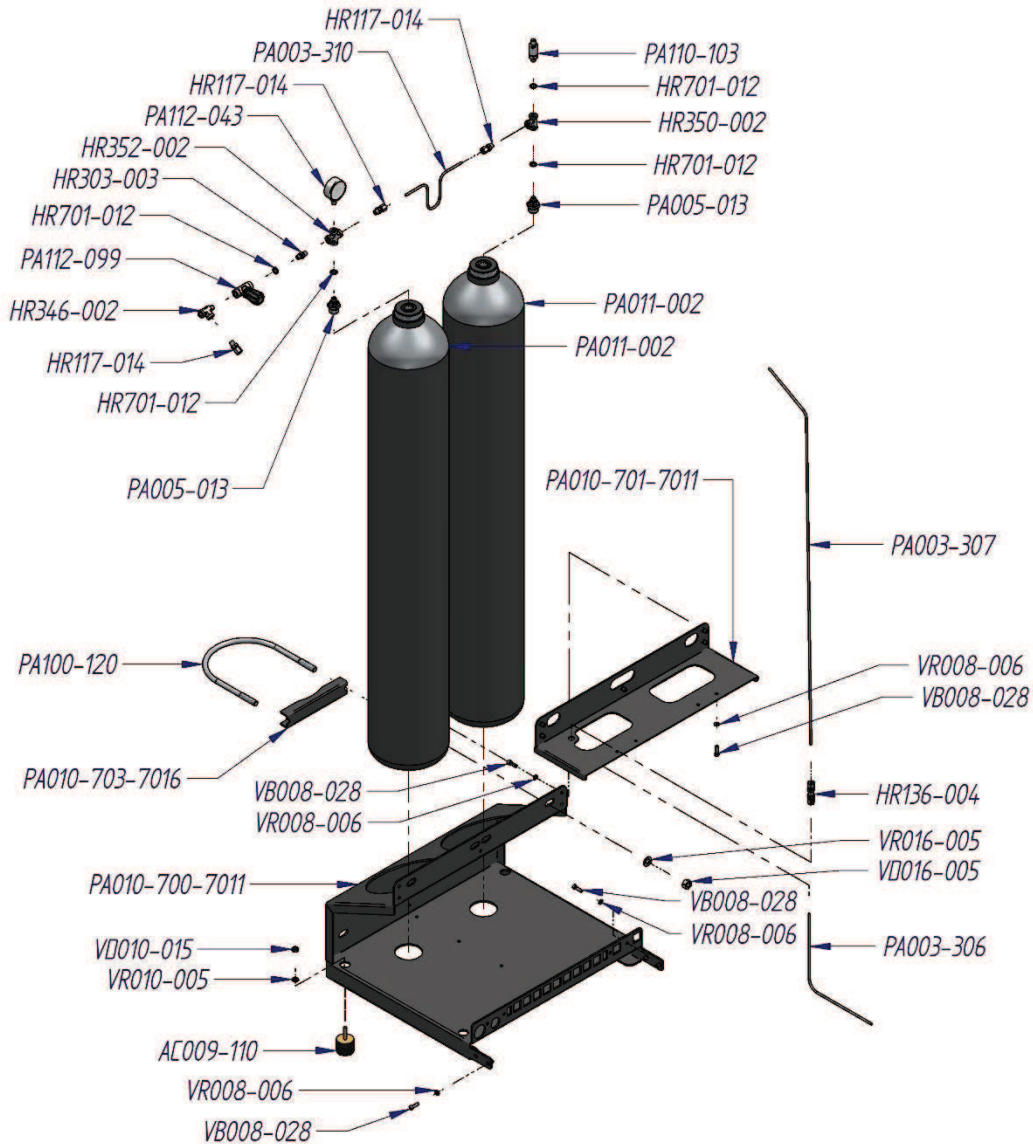
CODE	DESCRIPTION	CODE	DESCRIPTION	CODE	DESCRIPTION
AC002-907	Cable gland	PA010-303-7016	Panel	VB006-016	Screw
AC009-110	Antivibration	PA010-315-7016	Conveyor	VB006-045	Screw
HR117-014	Pipe fitting	PA010-316-7016	Conveyor	VB010-008	Screw
HR125-014	Pipe fitting "T"	PA010-351-7016	Panel	VD008-012	Nut
HR136-014	Pipe fitting	PA010-351-F	Sound-absorbing	VD010-015	Nut
HR348-002	Pipe fitting "T"	PA010-352-7016	Panel	VR006-002	Washer
HR701-012	Washer	PA010-352-F	Sound-absorbing	VR008-006	Washer
PA003-300	Tube	PA010-354-7016	Panel	VR010-005	Washer
PA003-301	Tube	PA010-354-F	Sound-absorbing		
PA003-302	Tube	PA010-362-7016	Panel		
PA003-304	Tube	PA010-362-F	Sound-absorbing		
PA003-305	Tube	PA010-367-7016	Support		
PA010-300-7016	Support	PA116-002	Transducer		



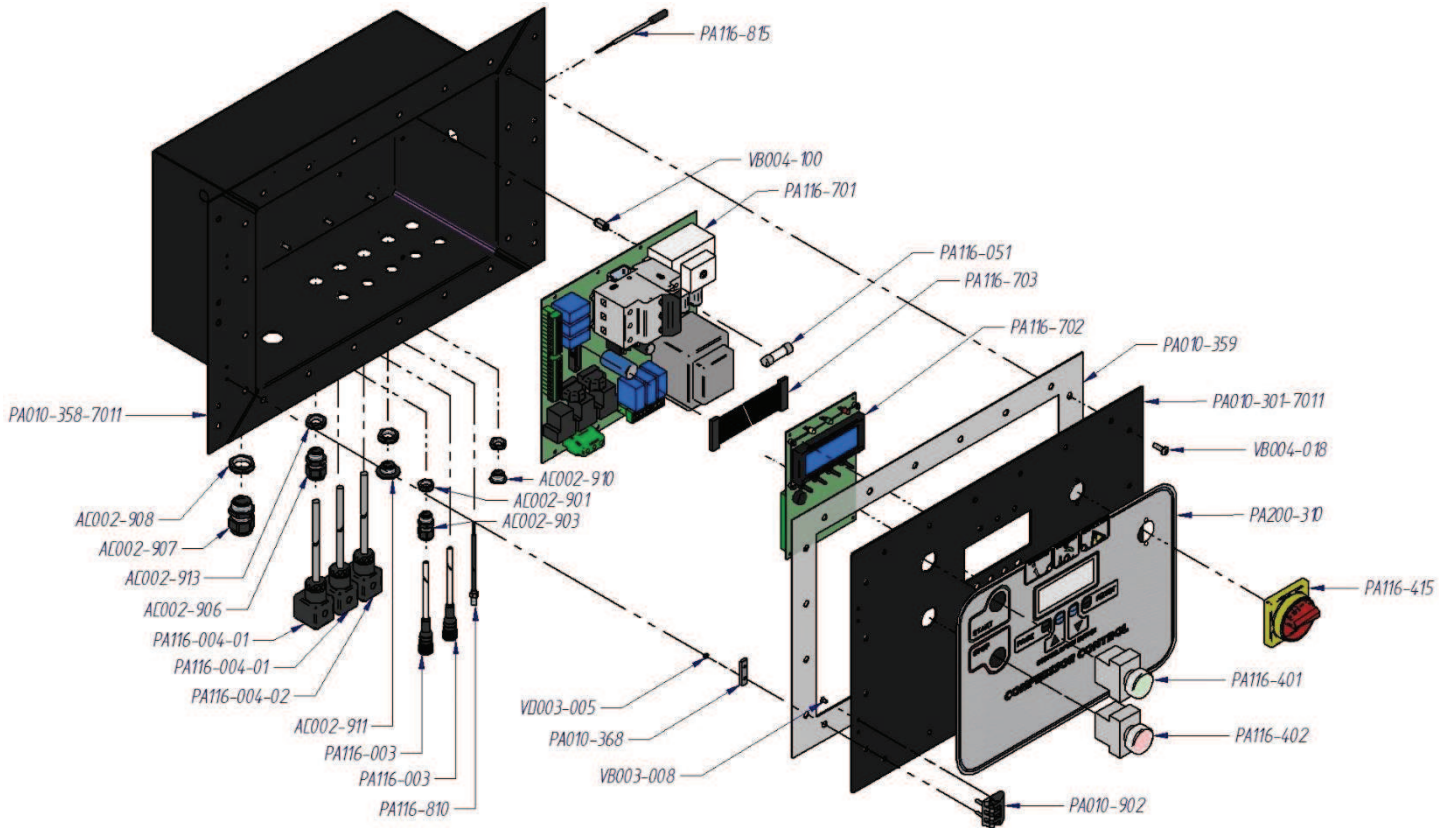
CODE	DESCRIPTION	CODE	DESCRIPTION	CODE	DESCRIPTION
PA010-310-7016	Panel	PA010-356-F	Sound-absorbing	VB008-080	Screw
PA010-310-F	Sound-absorbing	PA010-357-7016	Panel	VD006-017	Nut
PA010-321-7016	Panel	PA010-357-F	Sound-absorbing	VD008-012	Nut
PA010-320-F	Sound-absorbing	PA100-116	Mounting bracket	VR006-002	Washer
PA010-353-7016	Panel	PA112-041	Manometer	VR008-006	Washer
PA010-353-F	Sound-absorbing	PA116-727	Switchboard		
PA010-355-7016	Panel	VB004-021	Screw		
PA010-355-F	Sound-absorbing	VB006-016	Screw		
PA010-356-7016	Panel	VB006-045	Screw		

**SPARE PARTS
BOOSTER 55 - 350**
Storage

BOO005-015-A Rev.00
Date 01/07/2015



CODE	DESCRIPTION	CODE	DESCRIPTION	CODE	DESCRIPTION
AC009-110	Antivibration	PA003-310	Tube	VB008-028	Screw
HR117-014	Pipe fitting	PA005-013	Reduction	VD010-015	Nut
HR136-004	Pipe fitting	PA010-700-7016	Support	VD016-005	Nut
HR303-003	Pipe fitting	PA010-701-7016	Support	VR008-006	Washer
HR346-002	Pipe fitting "T"	PA010-703-7016	Support	VR010-005	Washer
HR350-002	Pipe fitting "T"	PA011-002	Tank 350 bar	VR016-005	Washer
HR352-002	Pipe fitting "+"	PA100-120	Mounting bracket		
HR701-012	Washer	PA110-103	Safety valve PN 300 bar		
PA003-306	Tube	PA112-043	Manometer		
PA003-307	Tube	PA112-099	Valve		



CODE	DESCRIPTION	CODE	DESCRIPTION	CODE	DESCRIPTION
AC002-901	Nut PG7	PA010-368	Flange	PA116-703	Cable
AC002-903	Cable gland PG7	PA010-902	Hinged	PA116-810	Thermal transducer
AC002-906	Cable gland PG9	PA116-003	Connector	PA116-815	Thermal transducer
AC002-907	Cable gland PG13,5	PA116-004-01	Connector	PA200-3--	Sticker Nardi Industry
AC002-908	Nut PG13,5	PA116-004-02	Connector	VB003-008	Screw
AC002-910	Closure plug PG7	PA116-051	Fuse 20 A	VB004-018	Screw
AC002-911	Closure plug PG9	PA116-401	Button	VB004-100	Screw
AC002-913	Nut PG9	PA116-402	Button	VD003-005	Nut
PA010-301-7016	Electric box panel	PA116-415	General		
PA010-358-7016	Electric box	PA116-701	Board electric power		
PA010-359	Gasket	PA116-702	Board electronic control		