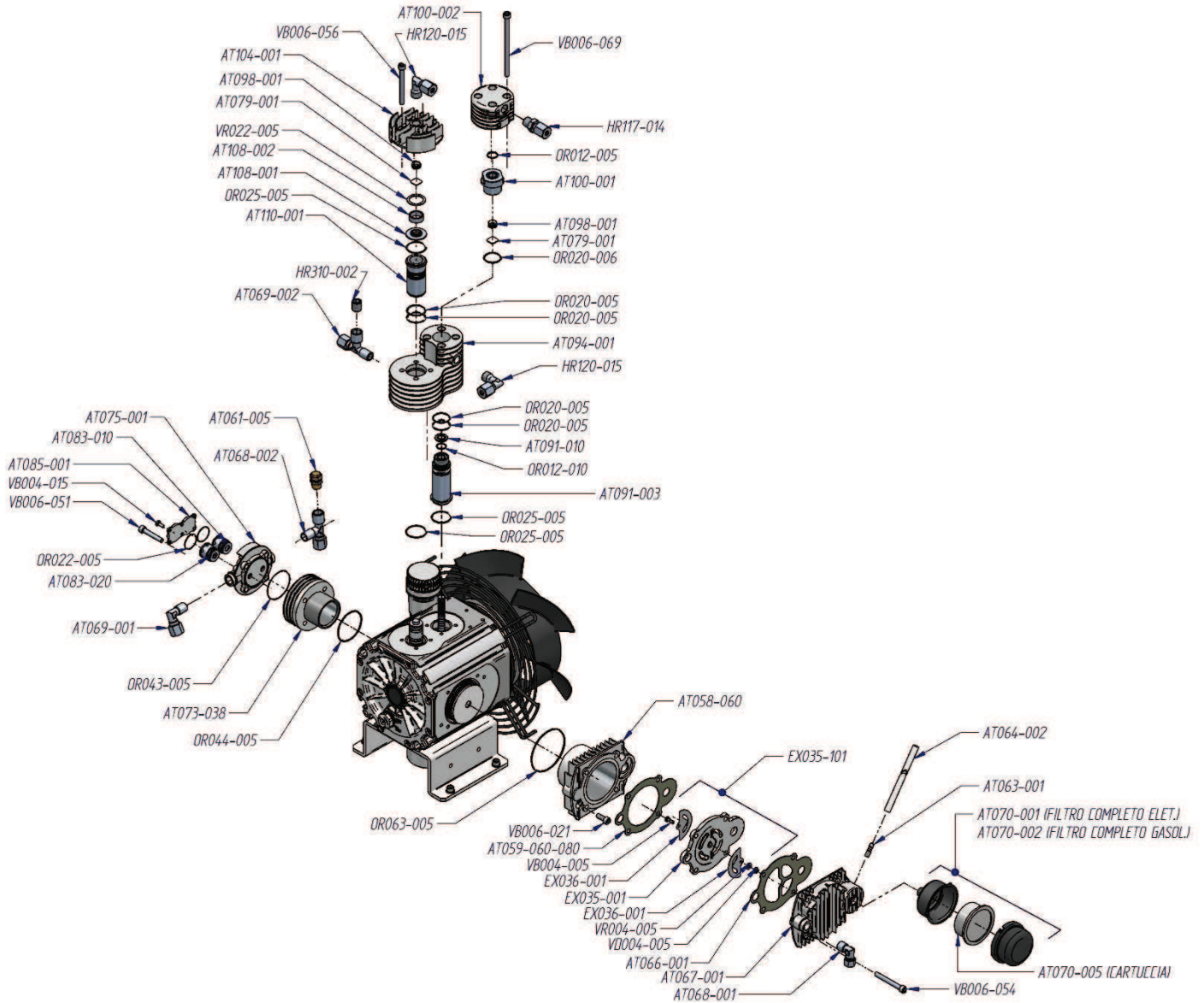
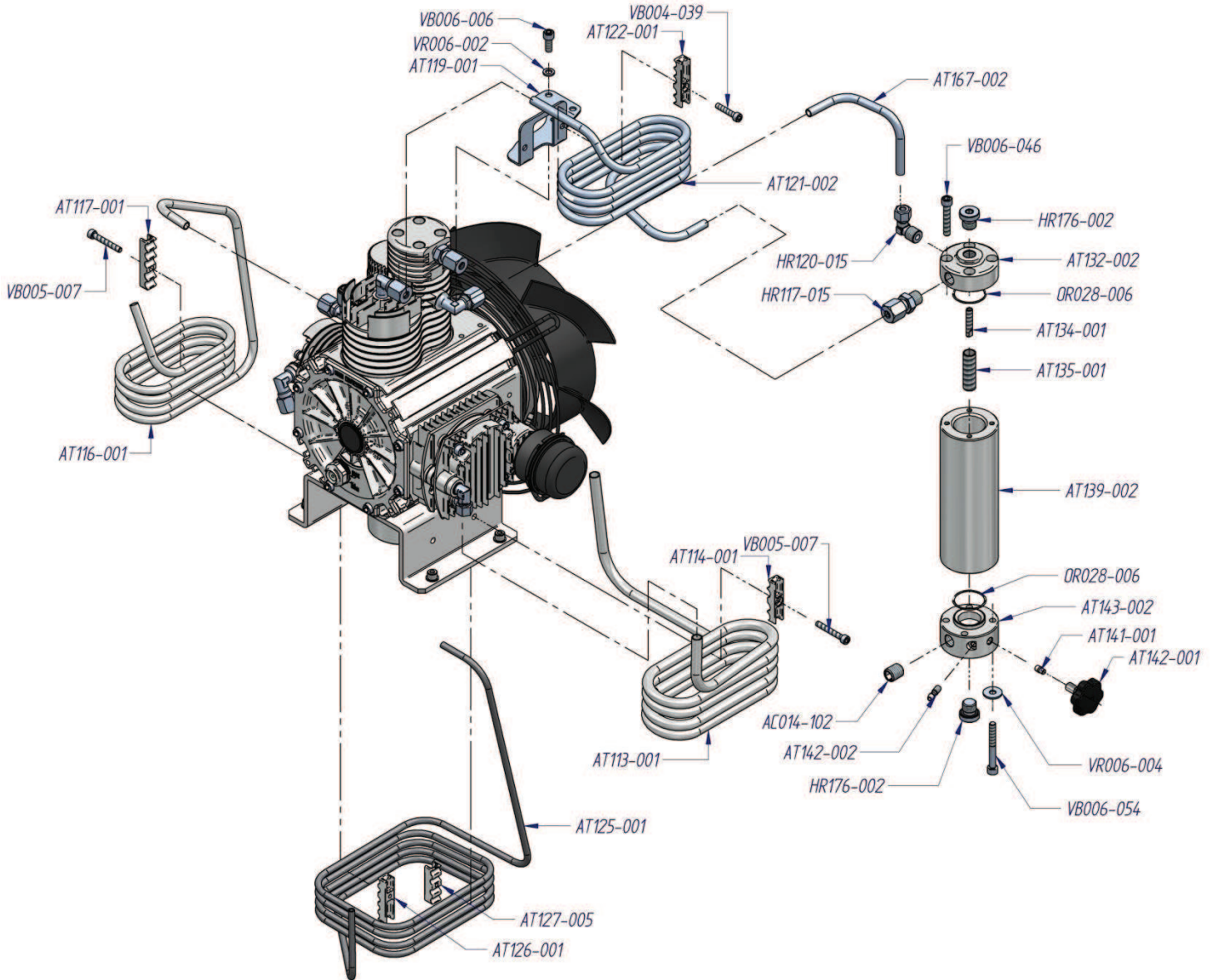


CODE	DESCRIPTION	CODE	DESCRIPTION	CODE	DESCRIPTION
AT001-001	Metal Cover Fan	AT029-001	Cover Oil seal	AT053-001	Flange Oil vapour
AT002-005-NER	Fan	AT030-001	Visual level pluq oil	AT055-001	Oil filler cap
AT002-004	Nut for fan	AT034-102	Piston 3rd stage with pin for cast-iron rings	OR037-005	O-ring
AT003-001	Pulley	AT036-010	SET Piston rings 3rd stage cast-iron	OR063-005	O-ring
AT004-001	Compressor shaft	AT037-001	Thickness connecting rod 1st stage	OR126-001	O-ring
AT011-001	Metal Wire	AT040-101	Piston 1st stage with pin	VB006-012	Screw
AT012-001	Oil seal	AT041-001	SET Piston rings 1st stage	VB006-013	Screw
AT014-001	Flange	AT044-101	Piston 2nd stage with pin	VB006-016	Screw
AT014-002	Flange	AT045-001	SET Piston rings 2nd stage	VD016-005	Nut
AT016-001	Bearing	AT046-001	Thickness connecting rod 2nd st.	VR006-005	Thickness
AT019-001	Flange	AT047-101	Piston 4th stage with pin	VR16-009	Thickness
AT020-001	Compressor crankcase	AT048-005	SET Piston rings 4th stage	VR16-016	Thickness
AT022-101	Handspike socket whit ring	AT049-001	Bracket Compressor	VV005-010	Key
AT025-101	Connecting rod 1st – 2nd St. with bearing	AT050-001	Oil cap	VV047-005	Safety O-ring
AT026-101	Connecting rod 3rd – 4th St. with bearing	AT052-001	Vat Oil Vapour		

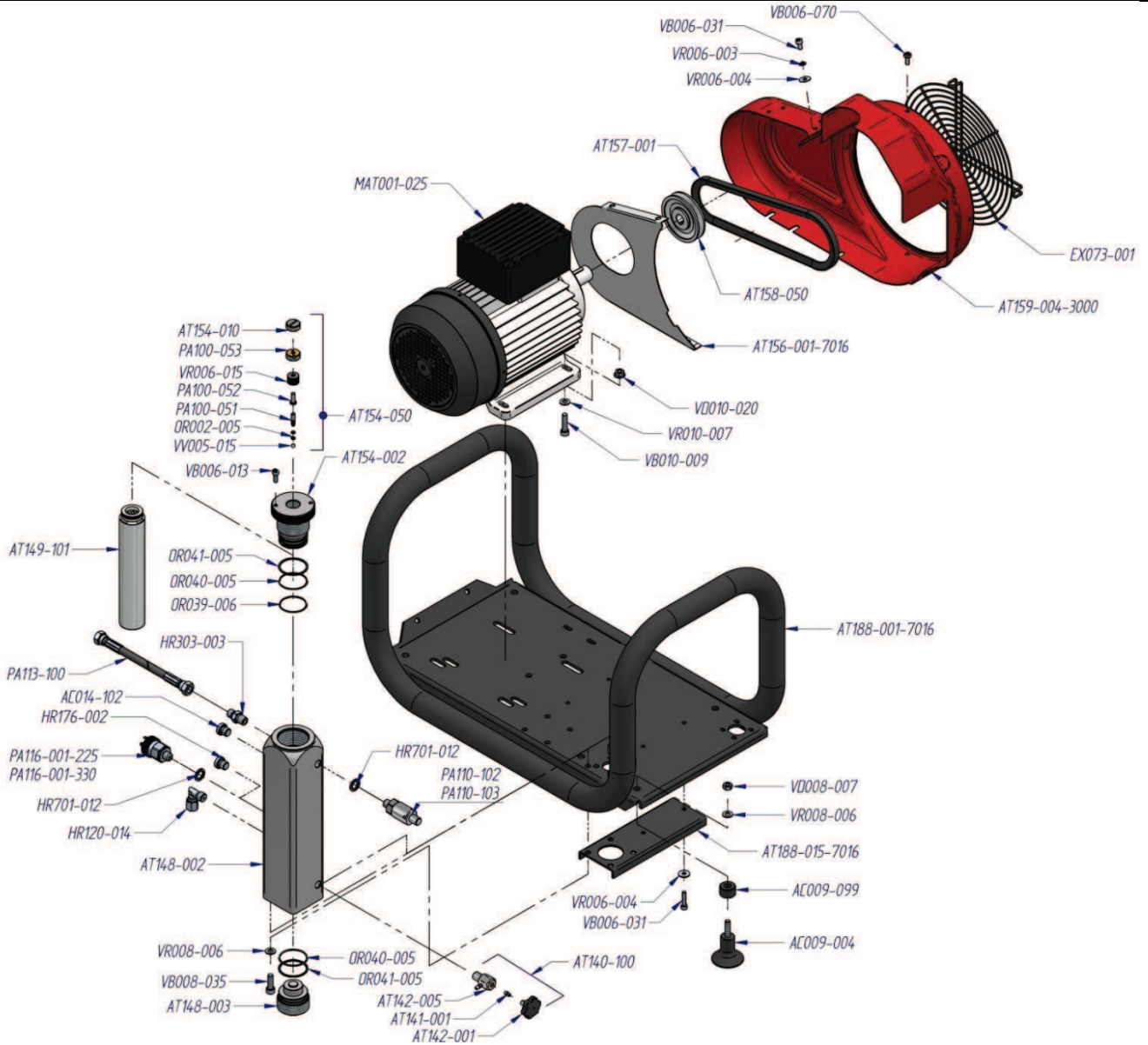


CODE	DESCRIPTION	CODE	DESCRIPTION	CODE	DESCRIPTION
AT058-060	Cylinder 1st Stage	AT083-020	Pressure Valve 2 <sup>nd</sup> stage	OR012-010	O-ring
AT059-060-080	Cylinder Gasket 1st Stage	AT085-005	Cover valves	OR020-005	O-ring
AT061-005	Safety valve 2nd stage	AT091-003	Cylinder 4 <sup>th</sup> stage	OR020-006	O-ring
AT064-002	Tube	AT091-010	Inferior body valve 4 <sup>th</sup> stage	OR022-005	O-ring
AT066-001	Top Gasket 1 <sup>st</sup> stage	AT094-001	Aluminum cylinder 3 <sup>rd</sup> - 4 <sup>th</sup> stage	OR025-005	O-ring
AT067-001	Head 1 <sup>st</sup> stage	AT098-001	Spring valve 4 <sup>th</sup> stage	OR043-005	O-ring
AT068-001	Connection L 1/4" tube 10mm	AT100-001	Inside head 4 <sup>th</sup> stage	OR044-005	O-ring
AT068-002	Connections T 1/4" tube 10mm	AT100-002	Head 4 <sup>th</sup> stage	OR063-005	O-ring
AT069-001	Connections L 1/4" tube 8mm	AT104-001	Head 3 <sup>rd</sup> stage	VB004-015	Screw
AT069-002	Connection a T 1/4"	AT108-001	Inferior body valve 3 <sup>rd</sup> stage	VB006-021	Screw
AT070-001	Complete suction Filter for electric mod.	AT108-002	Ring valve 3 <sup>rd</sup> stage	VB006-051	Screw
AT070-002	Complete suction Filter for gasoline mod.	AT110-001	Cylinder 3 <sup>rd</sup> Stage	VB006-054	Screw
AT070-005	Filter cartridge	EX035-101	Valve plate complete 1st stage	VB006-056	Screw
AT073-038	Cylinder 2 <sup>nd</sup> stage	HR117-014	Pipe fitting direct 1/4" for tube 6 mm	VB006-069	Screw
AT075-001	Head 2 <sup>nd</sup> stage	HR120-005	Pipe fitting "L" 1/4" for tube 8 mm	VR022-005	Screw
AT079-001	Valve disc 3rd stage	HR310-002	Closure plug 1/4"		
AT083-010	Suction valve 2 <sup>nd</sup> stage	OR012-005	O-ring		

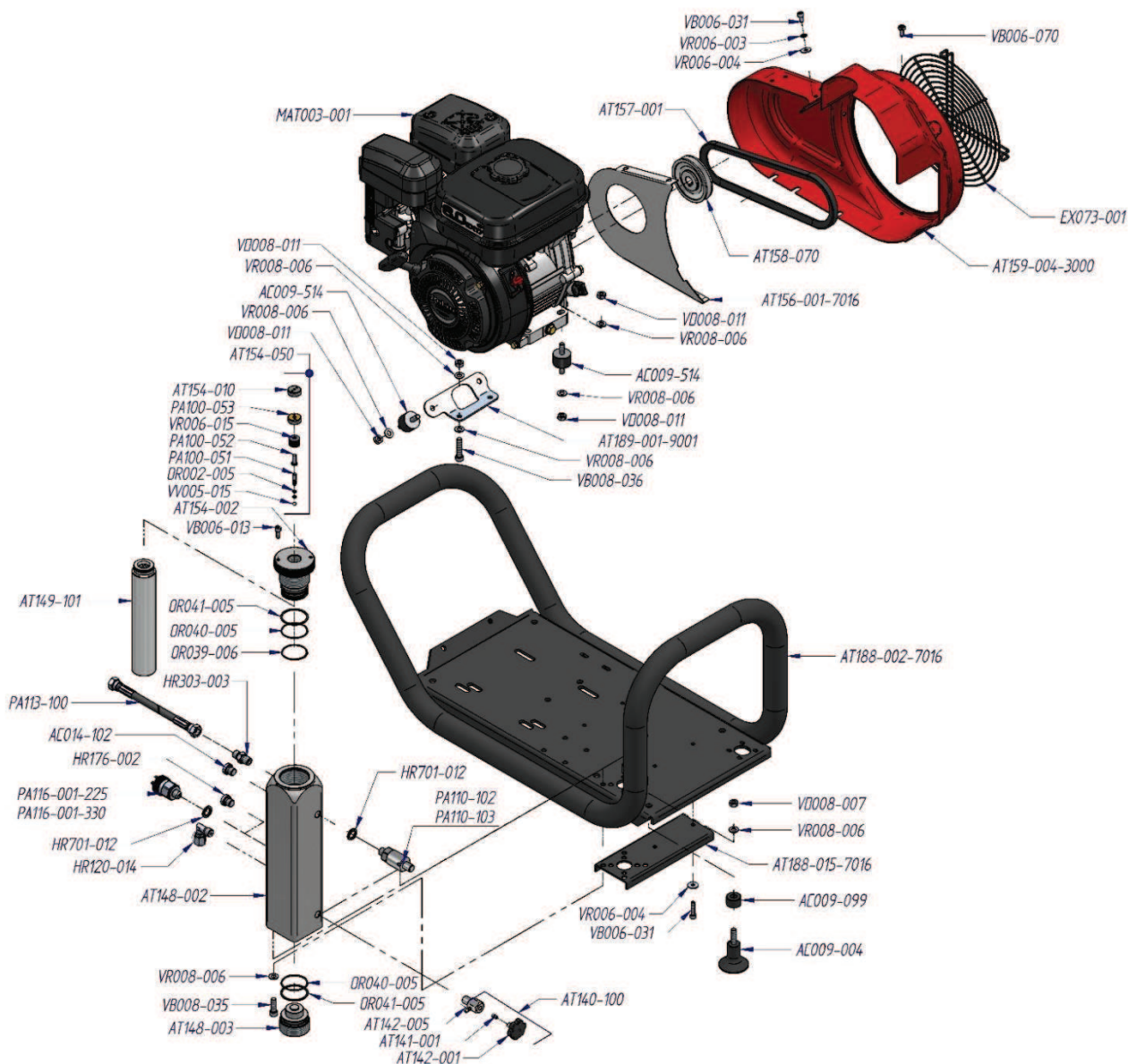


CODE	DESCRIPTION	CODE	DESCRIPTION	CODE	DESCRIPTION
AC014-102	Headless Screw	AT134-001	Aluminum tube separator	VB004-039	Screw
AT113-001	Cooling tube	AT135-001	Aluminum tube separator	VB005-007	Screw
AT114-001	Support cooling tube	AT139-002	Body filter separator	VB006-006	Screw
AT116-001	Cooling tube	AT141-001	Rilsan nut	VB006-046	Screw
AT117-001	Support cooling tube	AT142-001	Black screw of discharge	VB006-054	Screw
AT119-001	Bracket cooling tube	AT142-002	Condensate drain tube	VR006-002	Washer
AT121-002	Cooling tube	AT143-002	Base filter separator	VR006-004	Washer
AT122-001	Support cooling tube	AT167-002	Tube separator		
AT125-001	Cooling tube	HR117-015	Pipe fitting 1/4 " tube diam.8 mm		
AT126-001	Support cooling tube	HR120-015	Pipe fitting "L" 1/4 " tube diam.8 mm		
AT127-005	Support cooling tube	HR176-002	Closure plug		
AT132-002	Closure plug filter separator	OR028-010	O-ring		

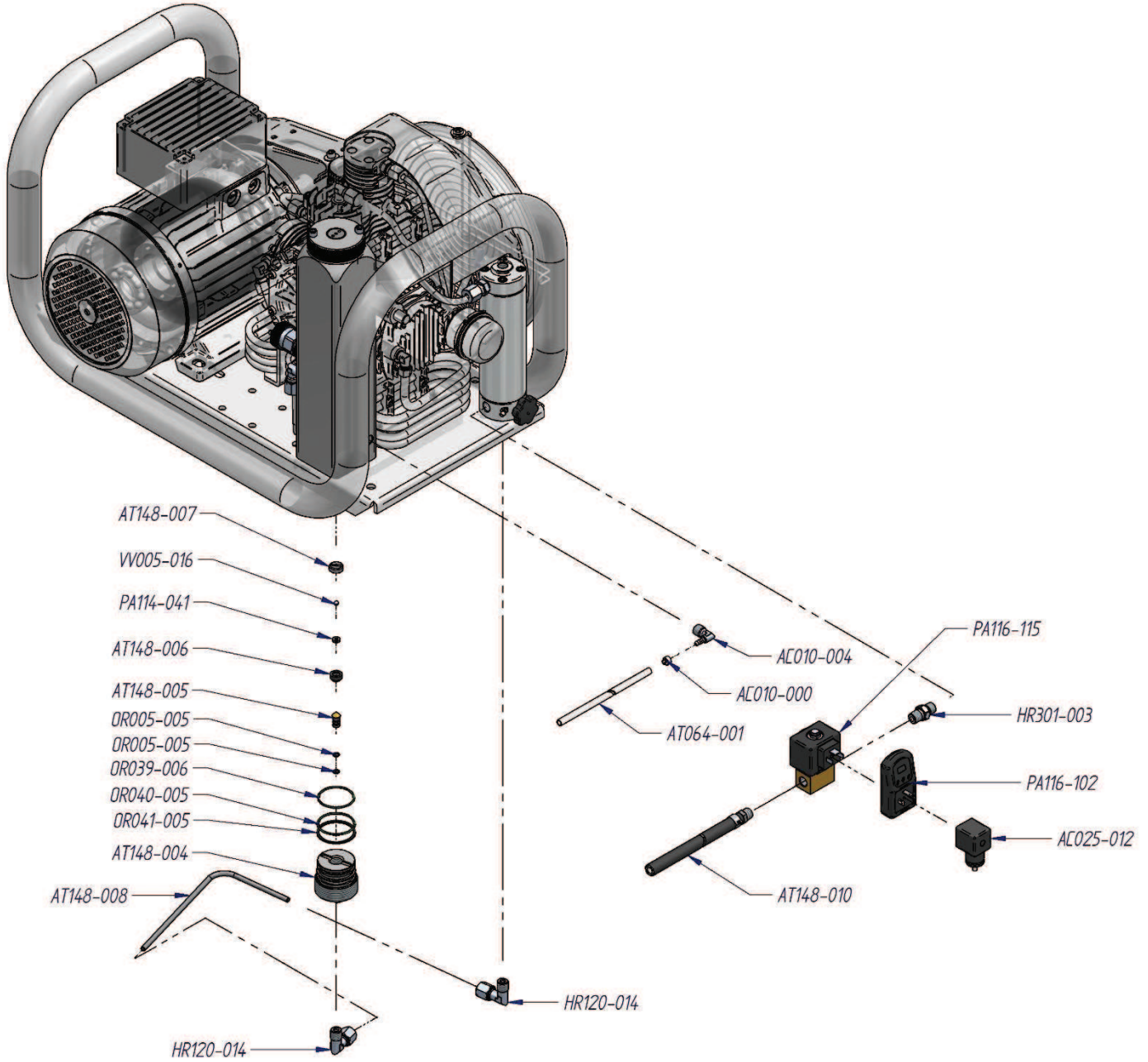




CODE	DESCRIPTION	CODE	DESCRIPTION	CODE	DESCRIPTION
AC009-004	Rubber foot with thread	AT188-001-7016	Frame atlantic P	PA113-100	Filling hose
AC009-099	Plastic washer	AT188-015-7016	Bracket for Frame	PA116-001-225	Pressure swich 225 BAR
AC014-102	Headless Screw	EX073-001	Metal protection	PA116-001-330	Pressure swich 330 BAR
AT140-100	Drain valve complete	HR120-014	Pipe fitting "L"	VB006-013	Screw
AT141-001	Rilsan nut	HR176-002	Closure plug 1/4"	VB006-031	Screw
AT142-001	Black screw of discharge	HR303-003	Connection	VB006-070	Screw
AT142-005	Drain valve housing	HR701-012	Washer	VB008-035	Screw
AT148-002	Body filter Atlantic	MAT001-025	Electric motor 230 Volt 50 Hz	VB010-009	Screw
AT148-003	Base for filter Atlantic	MAT001-030	Electric motor 230 Volt 60 Hz	VD008-007	Nut
AT149-101	Filter cartridge - electric	OR002-005	O-ring	VD010-020	Nut
AT154-002	Plug filter Atlantic	OR039-006	O-ring	VR006-003	Washer
AT154-010	Plug top maintenance valve	OR040-005	O-ring	VR006-004	Washer
AT154-050	Maintenance valve complete	OR041-005	O-ring	VR006-015	Washer
AT156-001-7016	Metallic cover belt	PA100-051	Piston for maintenance valve	VR008-006	Washer
AT157-001	Belt for electric engine 50/60 Hz	PA100-052	Spring guide for maintenance valve	VR010-007	Washer
AT158-050	Pulley for electric engine 50 Hz	PA100-053	Plug for maintenance valve	VV005-015	Metallic sphere
AT158-060	Pulley for electric engine 60 Hz	PA110-102	Safety valve PN 200 Bar		
AT159-004-3000	Plastic cover belt for electric model	PA110-103	Safety valve PN 300 Bar		

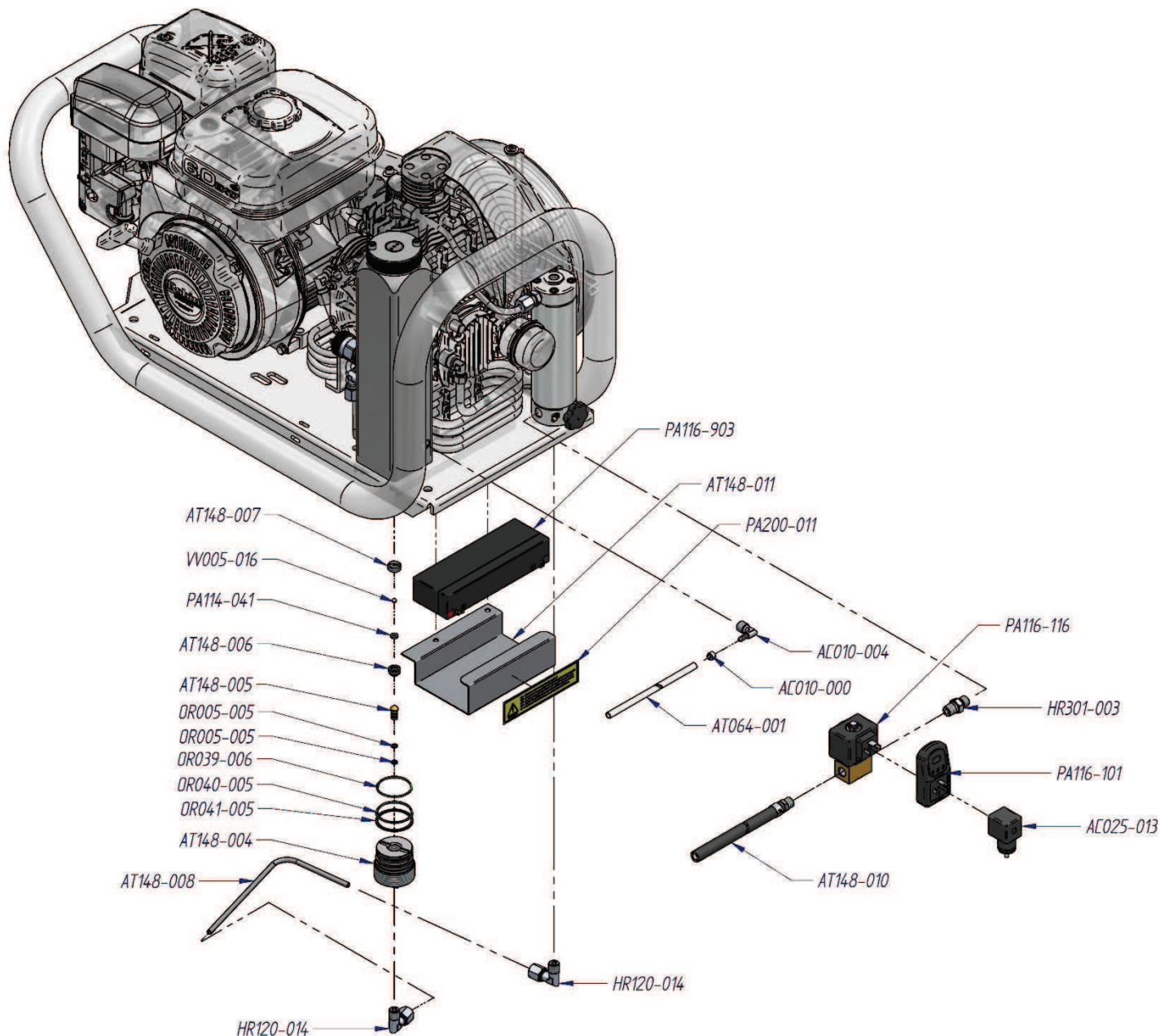


CODE	DESCRIPTION	CODE	DESCRIPTION	CODE	DESCRIPTION
AC009-004	Rubber foot with thread	AT188-002-7016	Frame atlantic G	PA113-100	Filling hose
AC009-514	No - Vibration Rubber	AT188-015-7016	Bracket for Frame	PA116-001-225	Pressure swich 225 BAR
AC009-099	Plastic washer	AT189-001-9001	Bracket motor	PA116-001-330	Pressure swich 330 BAR
AC014-102	Headless Screw	EX073-001	Metal protection	VB006-013	Screw
AT140-100	Drain valve complete	HR120-014	Pipe fitting "L"	VB006-031	Screw
AT141-001	Rilsan nut	HR176-002	Closure plug 1/4"	VB006-070	Screw
AT142-001	Black screw of discharge	HR303-003	Connection	VB008-035	Screw
AT142-005	Drain valve housing	HR701-012	Washer	VB008-036	Screw
AT148-002	Body filter Atlantic	MAT003-001	Gasoline motor 6Hp	VD008-007	Nut
AT148-003	Base for filter Atlantic	OR002-005	O-ring	VD008-011	Nut
AT149-101	Filter cartridge - electric	OR039-006	O-ring	VR006-003	Washer
AT154-002	Plug filter Atlantic	OR040-005	O-ring	VR006-004	Washer
AT154-010	Plug top maintenance valve	OR041-005	O-ring	VR006-015	Washer
AT154-050	Maintenance valve complete	PA100-051	Piston for maintenance valve	VR008-006	Washer
AT156-001-7016	Metallic cover belt	PA100-052	Spring guide for maintenance valve	VR010-007	Washer
AT157-001	Belt for electric engine 50/60 Hz	PA100-053	Pluq for maintenance valve	VV005-015	Metallic sphere
AT158-070	Pulley for gasoline engine	PA110-102	Safety valve PN 200 Bar		
AT159-004-3000	Plastic cover belt for electric model	PA110-103	Safety valve PN 300 Bar		

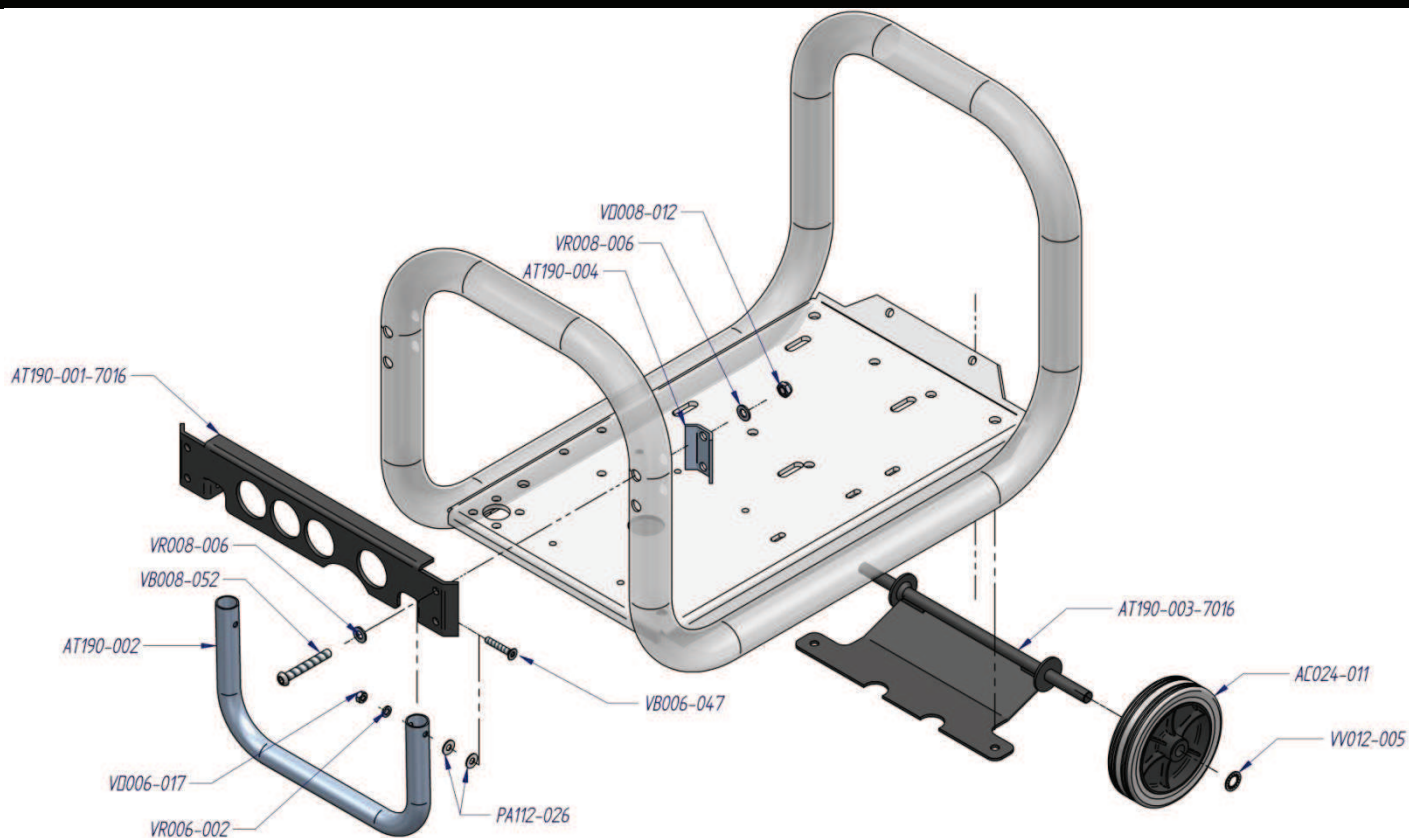


CODE	DESCRIPTION	CODE	DESCRIPTION	CODE	DESCRIPTION
AC010-000	Clip for tube 8,5 mm	AT148-008	Tube	PA114-041	Reduction
AC010-004	Pipe fitting "L"	AT148-010	Tube	PA116-102	Timer - solenoide valve
AC025-012	Connector	HR120-014	Pipe fitting "L"	PA116-115	Solenoide valve
AC064-001	Tube	HR301-003	Connection	VV005-016	Sphere
AT148-004	Flange	OR005-005	O-ring		
AT148-005	Piston	OR039-006	O-ring		
AT148-006	Piston seal	OR040-005	O-ring		
AT148-007	Flange	OR041-005	O-ring		



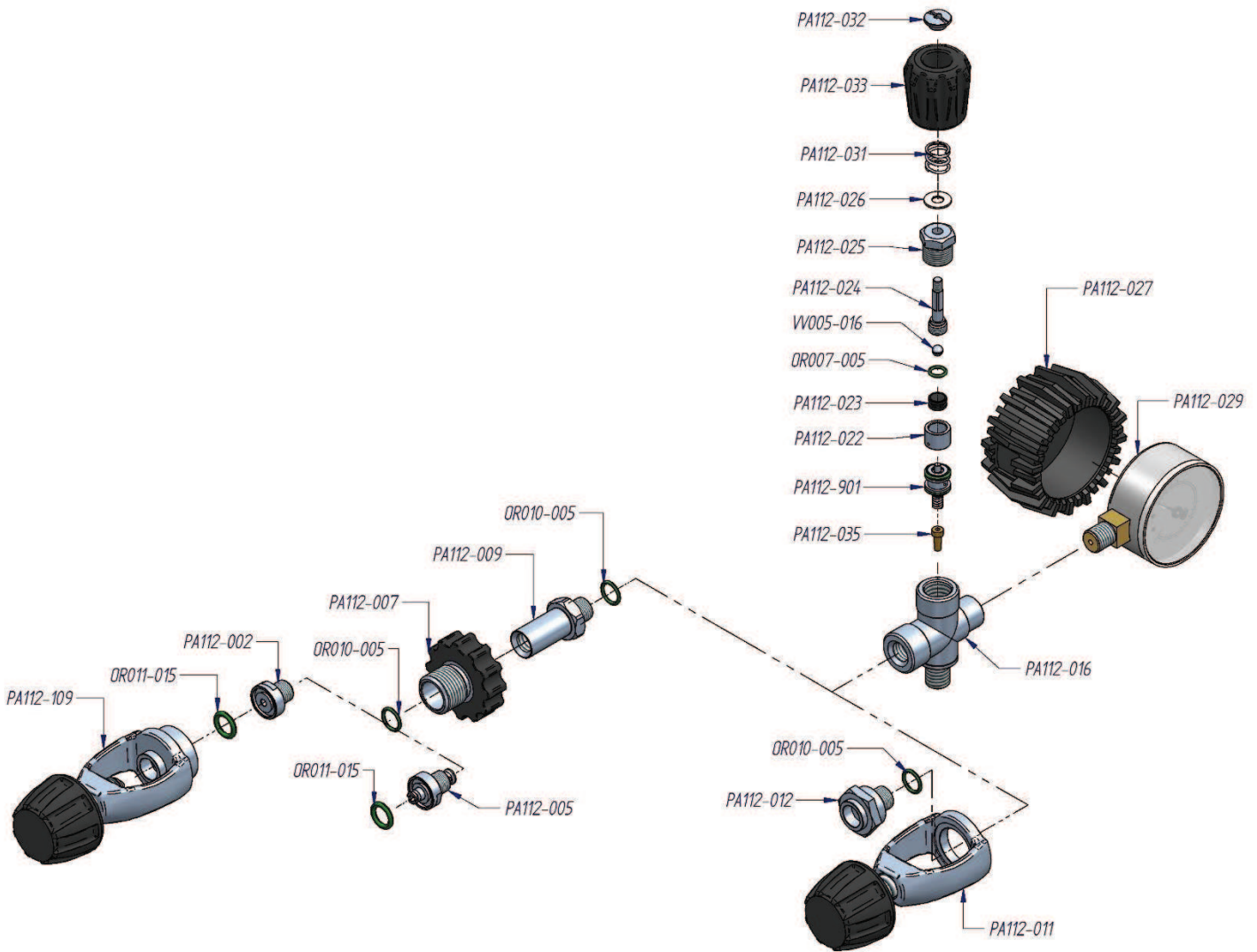


CODE	DESCRIPTION	CODE	DESCRIPTION	CODE	DESCRIPTION
AC010-000	Clip for tube 8,5 mm	AT148-011	Sticker	PA116-903	Battery
AC010-004	Pipe fitting "L"	HR120-014	Pipe fitting "L"	PA200-011	Sticker
AC025-013	Connector	HR301-003	Connection	VV005-016	Sphere
AC064-001	Tube	OR005-005	O-ring		
AT148-004	Flange	OR039-006	O-ring		
AT148-005	Piston	OR040-005	O-ring		
AT148-006	Piston seal	OR041-005	O-ring		
AT148-007	Flange	PA114-041	Reduction		
AT148-008	Tube	PA116-101	Timer - solenoide valve		
AT148-010	Tube	PA116-116	Solenoide valve		

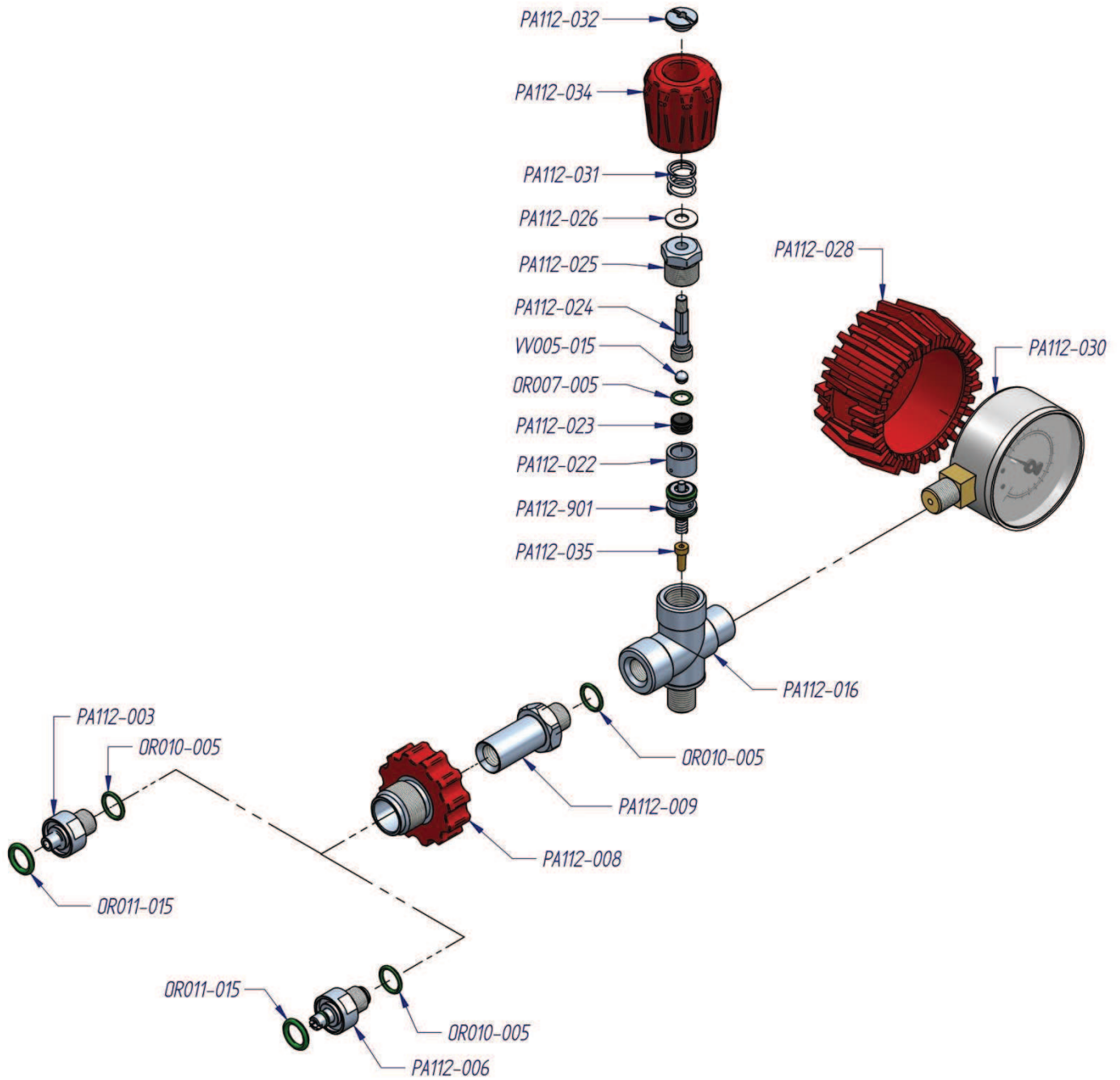


CODE	DESCRIPTION	CODE	DESCRIPTION	CODE	DESCRIPTION
AC024-011	Wheel	VB006-047	Screw	VV012-005	Safety washer
AT190-001-7016	Bracket for handle	VB008-052	Screw		
AT190-002	Handle	VD006-017	Nut		
AT190-003-7016	Bracket for wheels	VD008-012	Nut		
AT190-004	Bracket	VR006-002	Washer		
PA112-026	Washer	VR008-006	Washer		

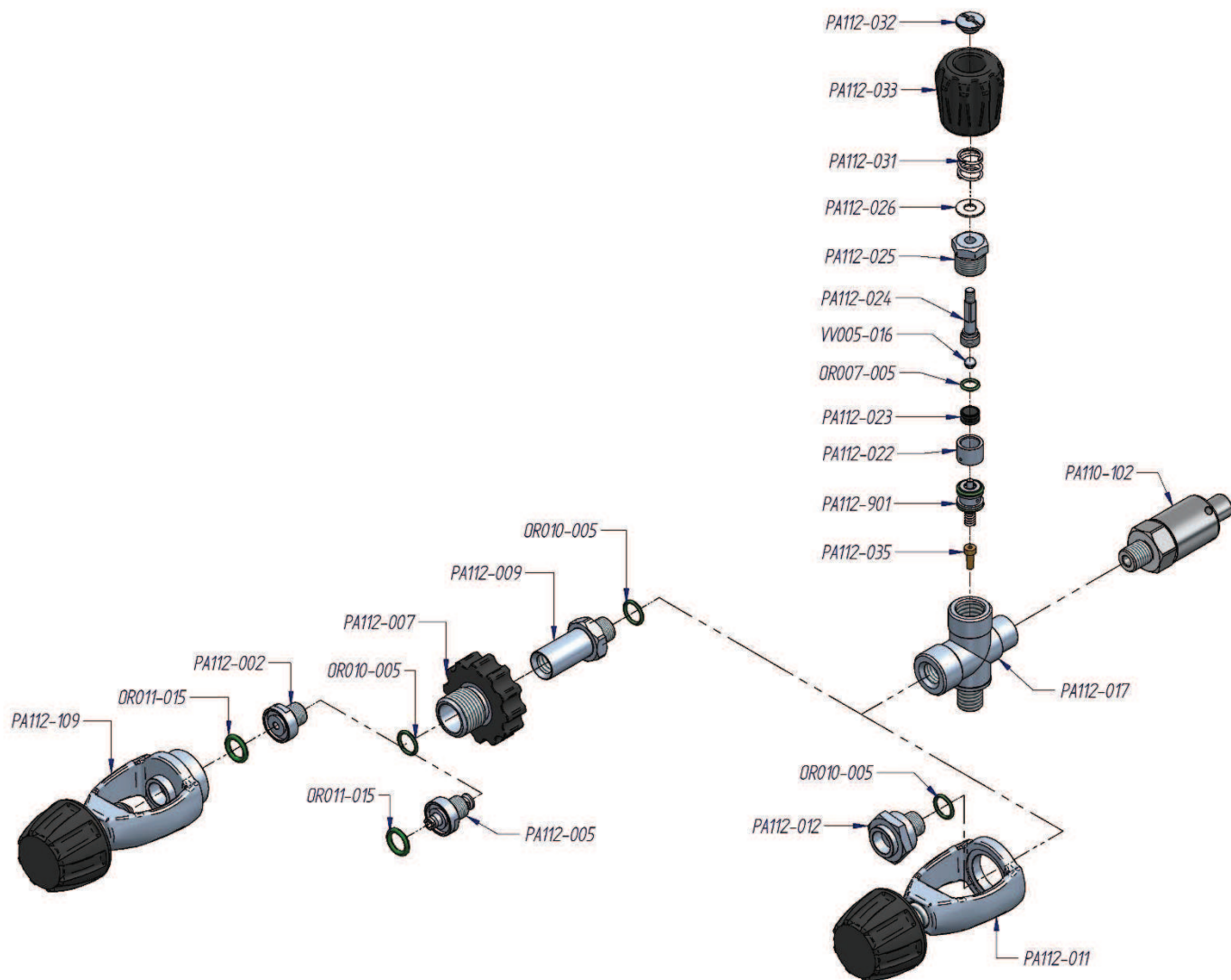




CODE	DESCRIPTION	CODE	DESCRIPTION	CODE	DESCRIPTION
OR007-005	O-ring	PA112-016	Body valve	PA112-032	Nut
OR010-005	O-ring	PA112-022	Cylindrical guide	PA112-033	Rubber knob black 200 bar
OR011-015	O-ring	PA112-023	Piston valve insert	PA112-035	Filter
PA112-002	Fitting connection 200 BAR	PA112-024	Valve shaft	PA112-109	International connection INT-CGA
PA112-005	Fitting connection 200 BAR flow stop	PA112-025	Closure nut	PA112-901	Kit pressure valve
PA112-007	Knob DIN 200 black	PA112-026	Washer	VV005-015	Sphere
PA112-009	Knob guide DIN 200	PA112-027	Protection rubber black 200 BAR		
PA112-011	International connection INT-CGA	PA112-029	Pressure gauge 200 BAR		
PA112-012	Bracket blocks INT-CGA	PA112-031	Spring		

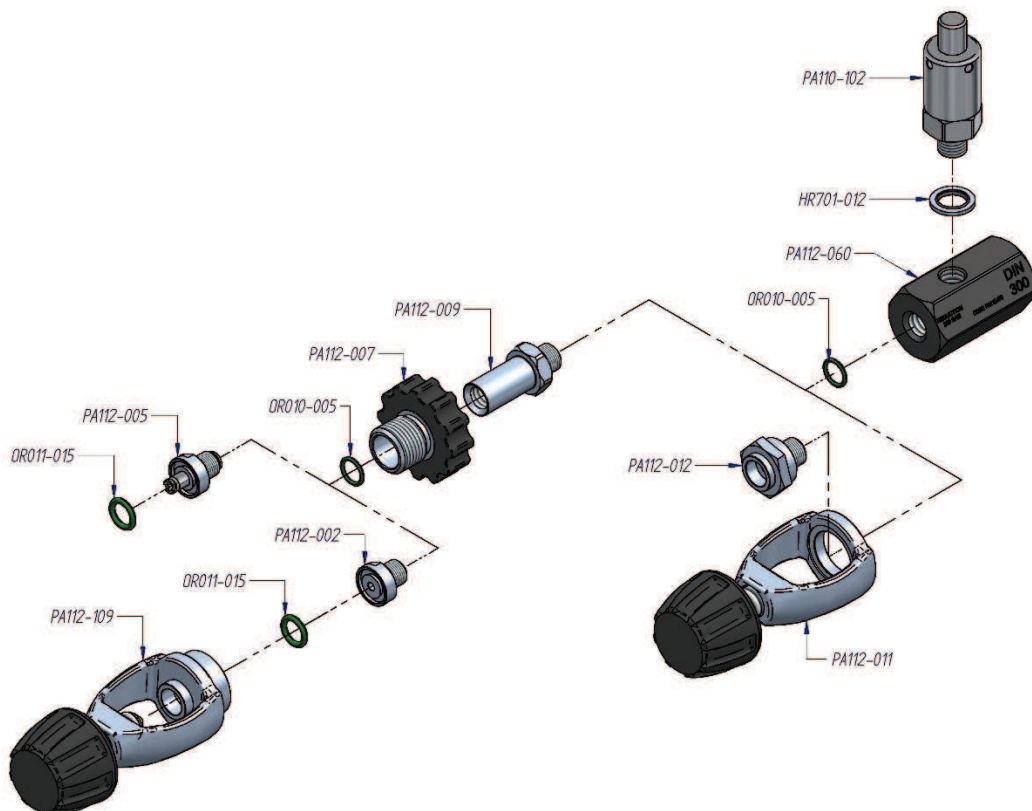


CODE	DESCRIPTION	CODE	DESCRIPTION	CODE	DESCRIPTION
OR007-005	O-ring	PA112-016	Body valve	PA112-030	Pressure gauge 300 BAR
OR010-005	O-ring	PA112-022	Cylindrical guide	PA112-031	Spring
OR011-015	O-ring	PA112-023	Piston valve insert	PA112-032	Nut
PA112-003	Fitting connection 300 BAR	PA112-024	Valve shaft	PA112-034	Rubber knob red 300 bar
PA112-006	Fitting connection 300 BAR flow stop	PA112-025	Closure nut	PA112-035	Filter
PA112-008	Knob DIN 300 red	PA112-026	Washer	PA112-901	Kit pressure valve
PA112-009	Knob guide DIN	PA112-028	Protection rubber red 300 BAR	VV005-015	Sphere



CODE	DESCRIPTION	CODE	DESCRIPTION	CODE	DESCRIPTION
OR007-005	O-ring	PA112-012	Bracket blocks INT-CGA	PA112-033	Rubber knob black 200 bar
OR010-005	O-ring	PA112-016	Body valve	PA112-035	Filter
OR011-015	O-ring	PA112-022	Cylindrical guide	PA112-109	International connection INT-CGA
PA110-102	Safety valve PN 200 Bar	PA112-023	Piston valve insert	PA112-901	Kit pressure valve
PA112-002	Fitting connection 200 BAR	PA112-024	Valve shaft	VV005-015	Sphere
PA112-005	Fitting connection 200 BAR flow stop	PA112-025	Closure nut		
PA112-007	Knob DIN 200 black	PA112-026	Washer		
PA112-009	Knob guide DIN 200	PA112-031	Spring		
PA112-011	International connection INT-CGA	PA112-032	Nut		





CODE	DESCRIPTION	CODE	DESCRIPTION	CODE	DESCRIPTION
HR701-012	Washer	PA112-005	Fitting connection 200 BAR flow stop	PA112-060	Reduction Body
OR010-005	O-ring	PA112-007	Knob DIN 200 black	PA112-109	International connection INT-CGA
OR011-015	O-ring	PA112-009	Knob guide DIN 200		
PA110-102	Safety valve PN 200 Bar	PA112-011	International connection INT-CGA		
PA112-002	Fitting connection 200 BAR	PA112-012	Bracket blocks INT-CGA		